

GILERA	SEZ. 02	VALIDITA' PER MODELLI - LUGLIO '89																				
	PAG. 3	DESCRIZIONE GRUPPO	KZ 125	ENDURANCE 125	KK 125	RRT 125	ER		FB		RC RALLY 125	R1 R1S 125	RALLY R1 50									
Parafango anteriore												8.01	8.01	46.00	59.00	117.00	117.00	98.01	98.01	126.00	157.01	184.00
Parafango posteriore												9.00	9.00	9.00	59.00	117.00	117.00	98.01	98.01	126.00	157.01	185.00
Parastrappi												34.00	34.00	34.00	85.01 88.00	85.01 88.00	85.01	111.01	111.01	148.00	176.00	
Pattino guidacatena												17.00	17.00	17.00	69.00 70.00	69.00 70.00	69.00 70.00	101.00	101.00	123.00 135.00 136.00	154.00 164.00 165.00	193.00
Pedane anteriori												3.01	3.01	3.01	54.00	54.00	54.00	95.00	95.00	122.00	154.00	181.00
Pedane posteriori												2.01	2.01	2.01	53.00	114.00	114.00	94.01	94.01	121.00	153.00	
Piastre																						
Pinza freno anteriore												28.00	28.00	28.00	79.00	79.00	79.00	79.00	79.00	144.00	144.00	197.00
Pinza freno posteriore												29.00	29.00	29.00				106.00	106.00		173.01 173.01/A 173.01/B	
Pompa benzina														49.00								
Pompa freno anteriore												27.00	27.00	27.00	78.00	78.00	78.00	78.00	78.00	143.00	171.00	195.00
Pompa freno posteriore												31.01	31.01	31.01				108.00	108.00		172.01	
Pompa frizione idraulica																						
Portaleva destro												23.00	23.00	23.00	78.00	78.00	78.00	78.00	78.00	143.00	171.00	195.00
Portaleva sinistro												24.00	24.00	24.00	76.00	76.00	76.00	76.00	76.00	76.00	76.00	195.00
Portapacchi															60.00	60.00	60.00	60.00	60.00	127.00		180.00
Portatarga												9.00	9.00	9.00	59.00	117.00	117.00	98.01	98.01	126.00	157.01	
Radiatore												14.00	14.00	14.00	65.00	118.01	118.01 120.01	99.00	99.00 120.01	132.00	161.00	190.00
Regolatore di tensione												40.00	40.00	40.00	93.01	93.01	93.01	93.01	93.01	152.01	152.01	200.00
Ruota anteriore												32.01	32.01	32.01	81.00 82.00	81.00 82.00	81.00	109.00	109.00	145.00	174.00	197.00
Ruota posteriore												33.00 34.00	33.00 34.00	33.00 34.00	83.00 86.00	83.00 86.00	84.01	110.00	110.00	146.00	175.00	198.00
Scatola depuratore												10.00	10.00	10.00	61.00	61.00	61.00	61.00	61.00	128.00	158.00	186.00
Sella												6.01	6.01	44.00	58.00	58.00	58.00	58.00	58.00	125.00	156.01	188.00

GILERA	SEZ. 02	VALIDITA' PER MODELLI - LUGLIO '89										
	PAG. 4	KZ 125	ENDURANCE 125	KK 125	RRT 125	ER		FB		RC RALLY 125	R1 R1S 125	RALLY R1 50
DESCRIZIONE GRUPPO						125	200	125	200			
Semimanubrio destro		23.00	23.00	23.00								
Semimanubrio sinistro		24.00	24.00	24.00								
Serbatoio carburante		12.00	12.00	47.00 48.00	63.00	63.00	63.00	63.00	63.00	130.00	155.01 156.01	188.00
Serbatoio liquido freno posteriore		30.00	30.00	30.00				107.00	107.00		172.01	
Serbatoio olio miscelatore		13.00	13.00	13.00	64.00	64.00	64.00	64.00	64.00	131.00	160.00	189.00
Serie serrature		7.01	7.01	45.00	55.00 73.00	55.00 104.00	55.00 104.00	55.00 104.00	55.00 104.00	123.00	153.00	180.00 191.00
Silenziatore di scarico		11.00	11.00	11.00	62.00	62.00	62.00	62.00	62.00	129.00	159.00	187.00
Specchi retrovisori		5.01	5.01	43.00	74.00	74.00	74.00	74.00	74.00	140.00	169.00	195.00
Spoiler		4.01	4.01	42.00	56.00	115.00	115.00	96.01	96.01	124.00	155.01	180.00
Supporti pedana anteriore		3.01	3.01	3.01	54.00	54.00	54.00	95.00	95.00	122.00		
Supporti pedana posteriore		2.01	2.01	2.01	53.00	114.00	114.00	94.01	94.01	121.00	153.00	
Telaietto portafaro		36.01	36.01	36.01							177.00	199.00
Telaio		41.00 2.01	41.00 2.01	41.00 2.01	53.00	114.00	114.00	94.01	94.01	121.00	153.00	180.00
Teleruttore		39.00	39.00	52.00	92.00	92.00	92.00	92.00	92.00	151.00	179.00	
Tirante freno posteriore					80.00	80.00	80.00			147.00		182.00
Trasmissione contachilometri		26.00	26.00	26.00	77.00	77.00	77.00	105.00	105.00	142.00	170.00	194.00
Trasmissione contagiri		26.00	26.00	26.00	77.00	77.00	77.00	105.00	105.00			
Trasmissione frizione		25.00	25.00	25.00	76.00	76.00	76.00	76.00	76.00	76.00	76.00	196.00
Trasmissione gas		23.00 25.00	23.00 25.00	23.00 25.00	75.00	75.00	75.00	75.00	75.00	141.00	141.00	196.00
Trasmissione starter		25.00	25.00	25.00								
Vaso caricamento olio miscela					66.00							
Vaso espansione acqua					66.00							
Vernice		1.01	1.01	1.01	1.01	1.01	1.01	1.01	1.01	1.01	1.01	1.01

GILERA	SEZ. 02	VALIDITA' PER MODELLI - LUGLIO '89										
	PAG. 1	KZ 125	ENDURANCE 125	KK 125	RRT 125	ER		FB		RC RALLY 125	R1 R1S 125	RALLY R1 50
DESCRIZIONE GRUPPO						125	200	125	200			
Adesivi - Decalcomanie		4.01	4.01	32.01	56.00		92.00	92.00	92.00	124.00		
		5.01	5.01	33.00	57.00	92.00	115.00	96.01	96.01	126.00	155.01	183.01
		6.01	6.01	42.00	59.00	115.00	116.00	97.01	97.01	130.00	156.01	184.00
		8.01	8.01	43.00	63.00	116.00	117.00	98.01	98.01	135.00	157.01	188.00
		32.01	32.01	44.00	92.00	117.00	120.01	101.00	101.00	151.00		193.00
		33.00	33.00	46.00								
Ammortizzatore		16.00	16.00	16.00	68.00	68.00	68.00	100.00	100.00	134.00	163.00	193.00
Avvisatore acustico		36.01	36.01	36.01	74.00	74.00	74.00	74.00	74.00	140.00	169.00	200.00
Batteria		39.00	39.00	52.00	92.00	92.00	92.00	92.00	92.00	151.00	179.00	
Bauletto portacasco												
Bielle sospensione		16.00	16.00	16.00	68.00	68.00	68.00	100.00	100.00	134.00	163.00	182.00 193.00
Bloccasterzo		18.00 20.00	18.00 20.00	18.00 20.00	55.00	55.00	55.00	55.00	55.00	123.00	166.01	191.00
Bobina		40.00	40.00	40.00	93.01	93.01	93.01	93.01	93.01	152.01	01/91.00	
Buzzer		36.01	36.01	36.01	74.00	74.00	74.00	74.00	74.00	140.00	169.00	
Cablaggio		38.01	38.01	51.00	91.00	113.00	113.00	113.00	113.00	150.00	178.00	200.00
Carenatura		5.01 6.01 7.00	5.01 6.01 7.00	42.00 43.00 44.00 45.00	56.00						155.01	183.01
Carter catena		8.01	8.01	8.01	70.00	70.00	70.00	70.00	70.00	136.00	165.00	193.00
Cavalletto		41.00	41.00	41.00	54.00	54.00	54.00	95.00	95.00	122.00	154.00	182.00
Centralina di accensione												
Ceppi freno					85.01 87.00	85.01 87.00	85.01			147.00		198.00
Codino					57.00	116.00	116.00	97.01	97.01			
Collettore di scarico		11.00	11.00	11.00								
Comando gas		23.00	23.00	23.00	75.00	75.00	75.00	75.00	75.00	141.00	141.00	195.00
Copriuota		8.01	8.01	46.00								
Corona		34.00	34.00	34.00	85.01 88.00	85.01 88.00	85.01	111.01	111.01	148.00	176.00	198.00
Corredo attrezzi		15.00	15.00	50.00	67.00	67.00	67.00	67.00	67.00	133.00	162.00	
Cruscotto portastrumenti		22.01	22.01	22.01	73.00	104.00	104.00	104.00	104.00	139.00	168.00	194.00

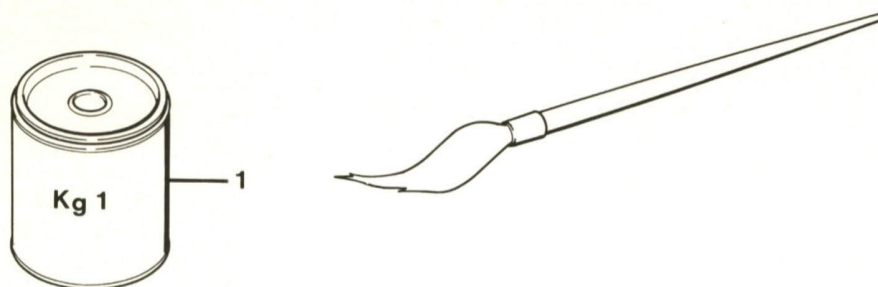
GILERA	SEZ. 02	VALIDITA' PER MODELLI - LUGLIO '89										
	PAG. 2	KZ 125	ENDURANCE 125	KK 125	RRT 125	ER		FB		RC RALLY 125	R1 R1S 125	RALLY R1 50
DESCRIZIONE GRUPPO						125	200	125	200			
Cupolino					56.00	115.00	115.00	96.01	96.01	124.00		
Disco freno anteriore		32.01	32.01	32.01	81.00 82.00	81.00 82.00	81.00	109.00	109.00	145.00	174.00	197.00
Disco freno posteriore		34.00	34.00	34.00				111.01	111.01		176.00	
Disco portaceppi					85.01 87.00	85.01 87.00	85.01			147.00		198.00
Dispositivi elettrici												200.00
Dispositivo cavalletto		37.01	37.01	37.01	90.00	90.00	90.00	90.00	90.00	90.00	90.00	
Fanale anteriore		35.01	35.01	35.01	89.00	112.01	112.01	112.01	112.01	149.00	177.00	199.00
Fanale posteriore		35.01	35.01	35.01	89.00	112.01	112.01	112.01	112.01	149.00	177.00	199.00
Fianchetti		6.01	6.01	44.00	56.00 57.00	116.00	116.00	97.01	97.01	124.00	155.01	183.01
Forcella telescopica		18.00 19.00 20.00 21.01	18.00 19.00 20.00 21.01	18.00 19.00 20.00 21.01	71.01 72.01	72.01 119.01	72.01 119.01	102.00 103.00	102.00 103.00	137.00 138.00	166.01 167.01	192.00
Forcellone		17.00	17.00	17.00	69.00	69.00	69.00	101.00	101.00	135.00	164.00	193.00
Gruppo ottico		35.01	35.01	35.01	89.00	112.01	112.01	112.01	112.01	149.00	177.00	199.00
Indicatori di direzione		36.01	36.01	36.01	89.00	112.01	112.01	112.01	112.01	149.00	177.00	199.00
Intermittenza indicatori		36.01	36.01	36.01	74.00	74.00	74.00	74.00	74.00	140.00	169.00	200.00
Interruttore stop anteriore		37.01	37.01	37.01	90.00	90.00	90.00	90.00	90.00	90.00	90.00	200.00
Interruttore stop posteriore		37.01	37.01	37.01	90.00	90.00	90.00	90.00	90.00	90.00	90.00	200.00
Leva cambio												
Leva freno anteriore		23.00	23.00	23.00	78.00	78.00	78.00	78.00	78.00	143.00	171.00	195.00
Leva freno posteriore		31.01	31.01	31.01	80.00	80.00	80.00	108.00	108.00	147.00	172.01	182.00
Leva frizione		24.00	24.00	24.00	76.00	76.00	76.00	76.00	76.00	76.00	76.00	195.00
Manubrio					74.00	74.00	74.00	74.00	74.00	140.00	169.00	195.00
Marmitta		11.00	11.00	11.00	62.00	62.00	62.00	62.00	62.00	129.00	159.00	187.00
Mozzo portacorona					85.01 88.00	85.01 88.00	85.01	111.01	111.01	148.00	176.00	198.00



VERNICI (barattolo da kg 1)  
VERNIS (boîte de kg 1)  
PAINTS (1 kg tin)  
LACKE (1 kg Dose)  
PINTURAS (lata de kg 1)

02

1.01



**IMPORTANTE:**

Nelle richieste di vernici, **specificare** sempre il **modello** cui si riferiscono

Nelle richieste di parti di ricambio verniciate, **specificare** sempre il **colore** desiderato

**IMPORTANT:**

Pour les demandes de vernis, **spécifier** toujours le **modèle** auquel elles se rapportent

Pour les demandes de pièces détachées vernies, **spécifier** toujours la **couleur** désirée

**IMPORTANT:**

For paint orders, always **specify** the related **model**

For painted spare part orders, always **specify** the wished **colour**

**WARTUNG:**

Für Lackbestellungen, auch das **Modell** immer **einzeln verzeichnen**

Für lackierte Ersatzteile, die gewünschte **Farbe** immer anzeigen

**IMPORTANTE:**

En los pedidos de pinturas, **especifique** siempre el **modelo** al cual se refieren

En los pedidos de piezas de repuesto pintadas, **especifique** siempre el **color** deseado

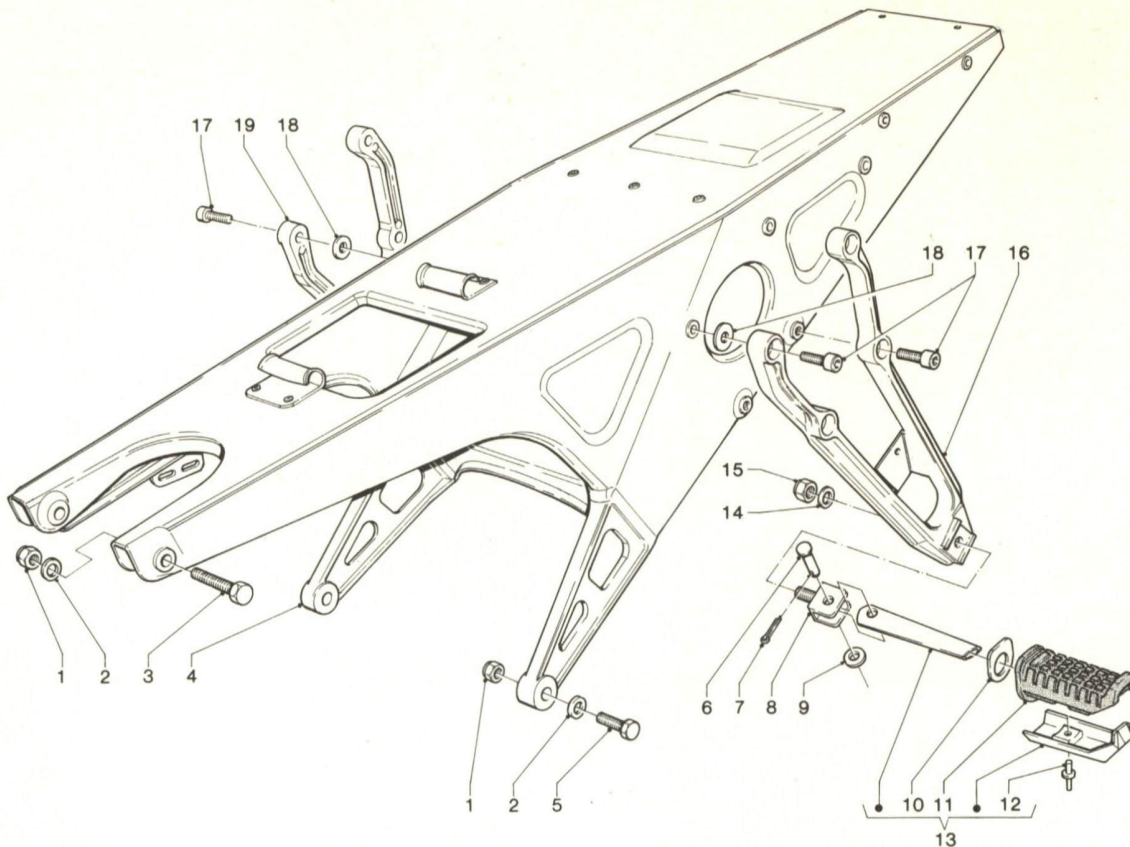
Pos. N.	N. Codice Nr. Code Code No. N. Código	Q.tà Q.té Q.ty M.ge Cant.	Denominazione	Désignation	Description	Beschreibung	Descripción
1	305785	—	Avopan	Avopan	Avopan	Avopan	Avopan
1	305786	—	Nero	Noir	Black	Schwarz	Negro
1	305787	—	Bianco ghiaccio	Blanc bleuté	Ice white	Eisweiss	Blanco hielo
1	305788	—	Rosso Cina	Rouge Chine	China red	China rot	Rojo China
1	305789	—	Rosso Holder	Rouge Holder	Holder red	Holder rot	Rojo Holder
1	305790	—	Rosso metallizzato	Rouge métal.	Metallic red	Rot-metallic	Rojo metal.
1	305791	—	Grigio piombo metall.	Gris plomb métal.	Metallic lead-grey	Bleigrau- metallic	Gris plomo metal.
1	305792	—	Alluminio metall.	Aluminium métal.	Metallic aluminium	Alum.-metallic	Aluminio metal.
1	305793	—	Bianco perla	Blanc perle	Pearl white	Perlweiss	Blanco perla
1	305794	—	Azzurro	Bleu	Blue	Blau	Azul
1	305795	—	Blu elettrico	Bleu électrique	Electric blue	Elektrisch-blau	Azul eléctrico
1	305796	—	Grigio 2T	Gris 2T	Grey 2T	Grau 2T	Gris 2T
1	305797	—	Blu sea	Bleu sea	Sea blue	Sea blau	Azul sea
1	305798	—	Sabbia	Sable	Sand	Sand	Arena
1	305891	—	Blu cobalto	Bleu cobalt	Cobalt blue	Kobalt-blau	Azul cobalto

02

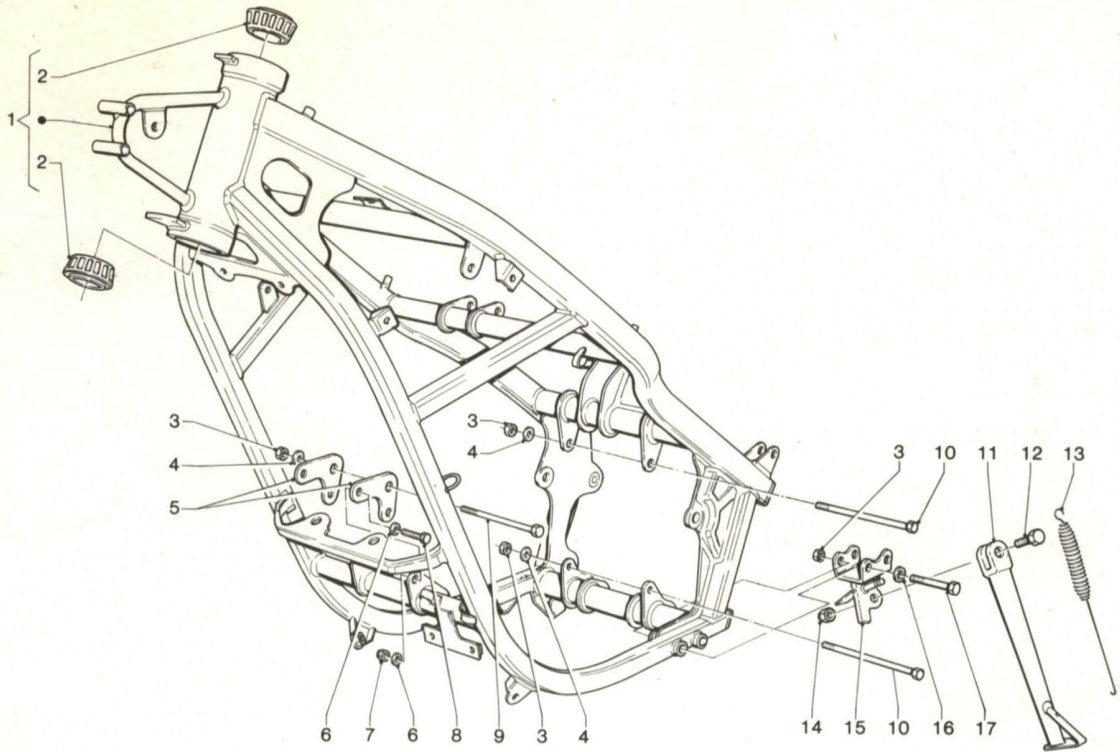
TELAIO POSTERIORE  
CHASSIS ARRIERE  
REAR CHASSIS  
HINTERFAHRGESTELL  
CHASSIS POSTERIOR



2.01



Pos. N.	N. Codice Nr. Code Code No. Code Nr. N. Código	Q.tà Q.té Q.ty M.ge Cant.	Denominazione	Désignation	Description	Beschreibung	Descripción
1	S.2438	4	Dado	Ecrou	Nut	Mutter	Dado
2	S.3058	4	Rondella	Rondelle	Washer	U.Scheibe	Arandela
3	S.30076	2	Vite	Vis	Screw	Schraube	Tornillo
4	327479	1	Telaio posteriore	Châssis AR	Rear chassis	Hint. Fahrgestell	Châsis post.
5	319148	2	Vite	Vis	Screw	Schraube	Tornillo
6	327426	2	Perno	Pivot	Pin	Zapfen	Perno
7	S.3208	2	Coppiglia	Goupille	Split pin	Splint	Pasador
8	324097	2	Cavallotto pedana	Pontet	Bracket	Brücke	Caballote piso
9	S.6177	2	Rondella	Rondelle	Washer	U.Scheibe	Arandela
10	327343	2	Rondella	Rondelle	Washer	U.Scheibe	Arandela
11	324134	2	Pedana	Repose-pieds	Foot rest	Fussrast	Tabla de piso
12	327702	2	Ribattino	Rivet	Rivet	Niet	Remache
13	327708	1	Pedana completa sx passeggero	Repose-pieds com. gauche, passager	Foot-rest, assy L.H., passenger	Fussrast, kpl. links, Beifahrer	Piso completo izq. pasajero
13	327706	1	Pedana completa dx passeggero	Repose-pieds com. droit, passager	Foot-rest, assy R.H., passenger	Fussrast, kpl. rechts, Beifahrer	Piso completo der. pasajero
14	S.3060	2	Rondella	Rondelle	Washer	U.Scheibe	Arandela
15	S.15235	2	Dado	Ecrou	Nut	Mutter	Dado
16	324095	1	Supporto pedana sx passeggero	Support rep.-pieds gauche, passager	Foot-rest bracket L.H., passenger	Fussrastenhalter links, Beifahrer	Soporte piso izq. pasajero
17	S.15792	8	Vite	Vis	Screw	Schraube	Tornillo
18	S.13861	4	Rondella	Rondelle	Washer	U.Scheibe	Arandela
19	324094	1	Supporto pedana dx passeggero	Support rep.-pieds droit, passager	Foot-rest bracket R.H., passenger	Fussrastenhalter rechts, Beifahrer	Soporte piso der. pasajero



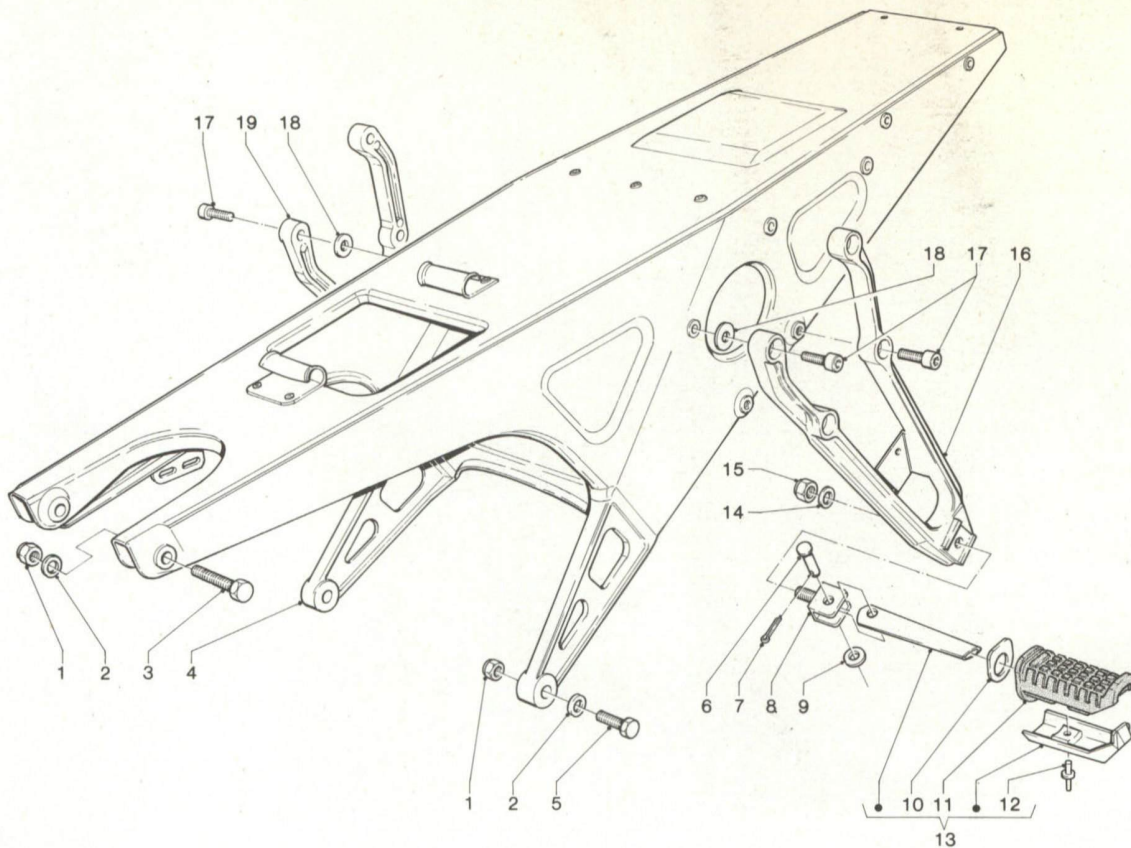
Pos. N.	N. Codice Nr. Code Code No. Code Nr. N. Código	Q.tà Q.té Q.ty M.ge Cant.	Denominazione	Désignation	Description	Beschreibung	Descripción
1	327511 327320	1	Telaio ant. compl.	Châssis AV, compl.	Fr. chassis, assy.	V. Fahrgestell, kpl.	Châsis ant. compl.
2	348744	2	Cuscinetto	Roulement	Bearing	Lager	Cojinete
3	S.20108	5	Dado	Ecrou	Nut	Mutter	Dado
4	G.28723	3	Rondella	Rondelle	Washer	U.Scheibe	Arandela
5	327311	2	Piastrina	Plaque	Plate	Plättchen	Plaquita
6	319153	8	Rondella	Rondelle	Washer	U.Scheibe	Arandela
7	S.12138	4	Dado	Ecrou	Nut	Mutter	Dado
8	S.31091	4	Vite	Vis	Screw	Schraube	Tornillo
9	319291	1	Vite	Vis	Screw	Schraube	Tornillo
10	S.319292	2	Vite	Vis	Screw	Schraube	Tornillo
11	324026	1	Cavalletto laterale	Béquille latéral	Side stand	Kippständer	Pata lateral
12	S.31157	1	Vite	Vis	Screw	Schraube	Tornillo
13	327193	1	Molla	Ressort	Spring	Feder	Resorte
14	S.15235	1	Dado	Ecrou	Nut	Mutter	Dado
15	324021	1	Piastra fissaggio	Plaque fixation	Sec. plate	Platte	Placa sujet.
16	S.3058	2	Rondella	Rondelle	Washer	U.Scheibe	Arandela
17	S.30077	2	Vite	Vis	Screw	Schraube	Tornillo

02

TELAIO POSTERIORE  
CHASSIS ARRIERE  
REAR CHASSIS  
HINTERFAHRGESTELL  
CHASSIS POSTERIOR

GILERA

2.00



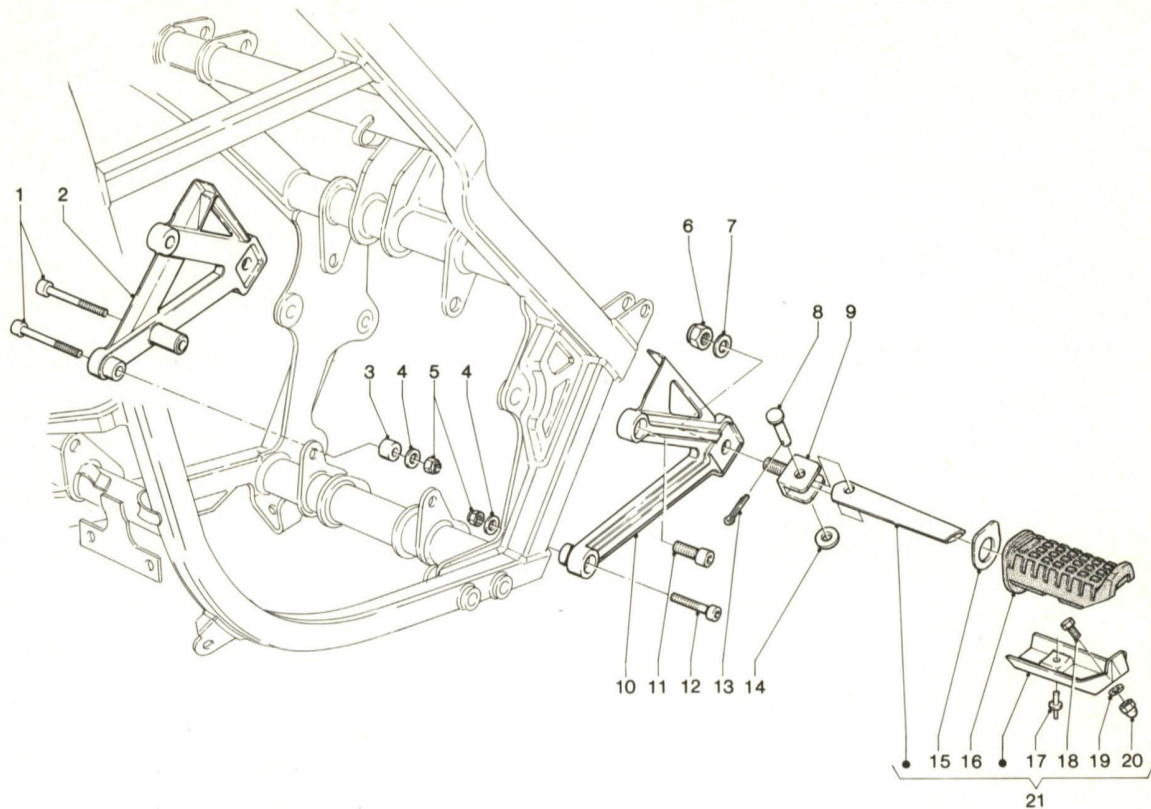
Pos. N.	N. Codice Nr. Code Code Nr. N. Código	Q.tà Q.té Q.ty M.ge Cant.	Denominazione	Désignation	Description	Beschreibung	Descripción
1	S.2438	4	Dado	Ecrou	Nut	Mutter	Dado
2	S.3058	4	Rondella	Rondelle	Washer	U.Scheibe	Arandela
3	S.30076	2	Vite	Vis	Screw	Schraube	Tornillo
4	327479	1	Telaio posteriore	Châssis AR	Rear chassis	Hint. Fahrgestell	Châsis post.
5	319148	2	Vite	Vis	Screw	Schraube	Tornillo
6	327426	2	Perno	Pivot	Pin	Zapfen	Perno
7	S.3208	2	Coppiglia	Goupille	Split pin	Splint	Pasador
8	324097	2	Cavallotto pedana	Pontet	Bracket	Brücke	Caballete piso
9	S.13958	2	Rondella	Rondelle	Washer	U,Scheibe	Arandela
10	327343	2	Rondella	Rondelle	Washer	U,Scheibe	Arandela
11	324134	2	Pedana	Repose-pieds	Foot rest	Fussrast	Tabla de piso
12	327702	2	Ribattino	Rivet	Rivet	Niet	Remache
13	327708	1	Pedana completa sx passeggero	Repose-pieds com. gauche, passager	Foot-rest, assy L.H., passenger	Fussrast, kpl. links, Beifahrer	Piso completo izq. pasajero
13	327706	1	Pedana completa dx passeggero	Repose-pieds com. droit, passager	Foot-rest, assy R.H., passenger	Fussrast, kpl. rechts, Beifahrer	Piso completo der. pasajero
14	S.3060	2	Rondella	Rondelle	Washer	U.Scheibe	Arandela
15	S.15235	2	Dado	Ecrou	Nut	Mutter	Dado
16	324095	1	Supporto pedana sx passeggero	Support rep.-pieds gauche, passager	Foot-rest bracket L.H., passenger	Fussrastenhalter links, Beifahrer	Soporte piso izq. pasajero
17	S.15792	8	Vite	Vis	Screw	Schraube	Tornillo
18	S.13861	4	Rondella	Rondelle	Washer	U.Scheibe	Arandela
19	324094	1	Supporto pedana dx passeggero	Support rep.-pieds droit, passager	Foot-rest bracket R.H., passenger	Fussrastenhalter rechts, Beifahrer	Soporte piso der. pasajero




**SUPPORTI PEDANA PILOTA**  
**SUPPORTS REPOSE-PIEDS PILOTE**  
**DRIVER FOOT-REST BRACKET**  
**FUSSRASTENHALTER**  
**SOPORTES TABLA DE PISO PILOTO**

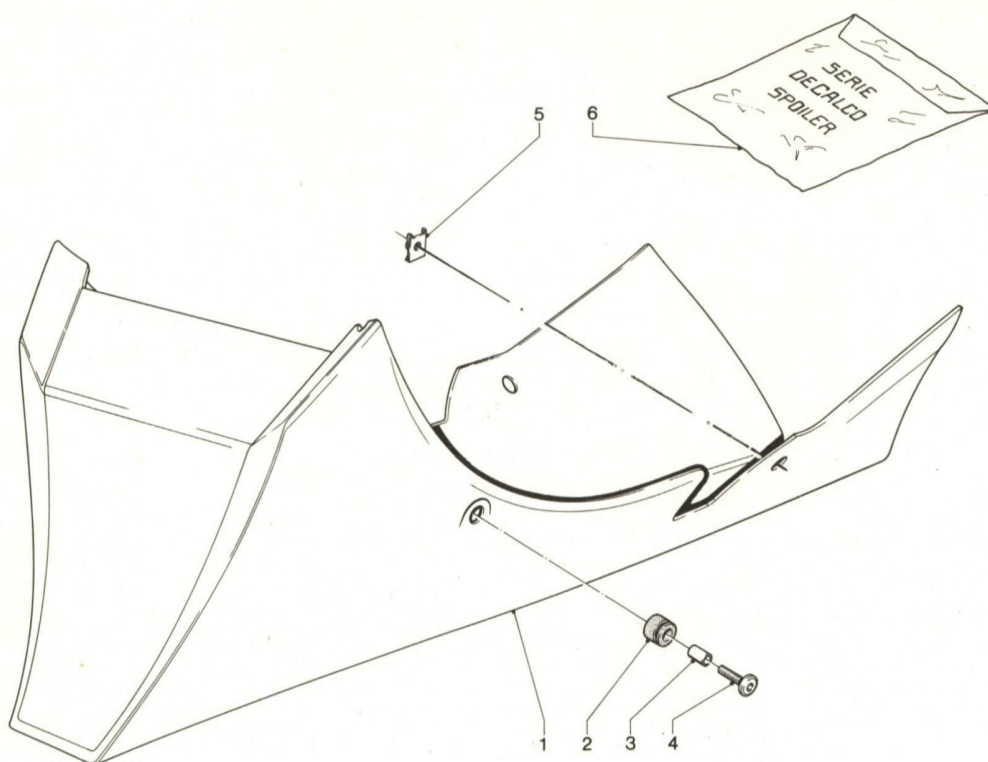
**02**

**3.01**



Pos. N.	N. Codice Nr. Code No. Code Nr. N. Código	Q.tà Q.ty M.ge Cant.	Denominazione	Désignation	Description	Beschreibung	Descripción
1	348235	2	Vite	Vis	Screw	Schraube	Tornillo
2	324099	1	Supporto pedana dx pilota	Support rep.-pieds droit, pilote	Foot-rest bracket R.H., driver	Fussrastenhalter rechts, Fahrer	Soporte piso der. piloto
3	324341	1	Distanziale	Entretoise	Spacer	Distanzstück	Separador
4	319293	3	Rondella	Rondelle	Washer	U.Scheibe	Arandela
5	S.12138	3	Dado	Ecrou	Nut	Mutter	Dado
6	S.15235	2	Dado	Ecrou	Nut	Mutter	Dado
7	S.3060	2	Rondella	Rondelle	Washer	U.Scheibe	Arandela
8	327426	2	Perno	Pivot	Pin	Zapfen	Perno
9	324097	2	Cavallotto pedana	Pontet	Bracket	Brücke	Caballote piso
10	324098	1	Supporto pedana sx pilota	Support rep.-pieds gauche, pilote	Foot-rest bracket L.H., driver	Fussrastenhalter links, Fahrer	Soporte piso izq. piloto
11	S.15609	2	Vite	Vis	Screw	Schraube	Tornillo
12	G.60474	1	Vite	Vis	Screw	Schraube	Tornillo
13	S.3208	2	Coppiglia	Goupille	Split pin	Splint	Pasador
14	S.6177	2	Rondella	Rondelle	Washer	U,Scheibe	Arandela
15	327343	2	Rondella	Rondelle	Washer	U,Scheibe	Arandela
16	324134	2	Pedana	Repose-pieds	Foot rest	Fussrast	Tabla de piso
17	327702	2	Ribattino	Rivet	Rivet	Niet	Remache
18	S.31084	2	Vite	Vis	Screw	Schraube	Tornillo
19	S.16407	2	Rondella elastica	Rondelle élastique	Spring washer	Federring	Arandela elástica
20	327322	2	Dado	Ecrou	Nut	Mutter	Dado
21	327707	1	Pedana completa sx pilota	Repose-pieds com. gauche, pilote	Foot-rest, assy. L.H., driver	Fussrast, kpl. links, Fahrer	Piso completo izq. piloto
21	327705	1	Pedana completa dx pilota	Repose-pieds com. droit, pilote	Foot-rest, assy. R.H., driver	Fussrast, kpl. rechts, Fahrer	Piso completo der. piloto

<b>02</b>	<b>SPOILER INFERIORE SPOILER INFERIEUR LOWER SPOILER UNTER SPOILER SPOILER INFERIOR</b>	
<b>4.01</b>		



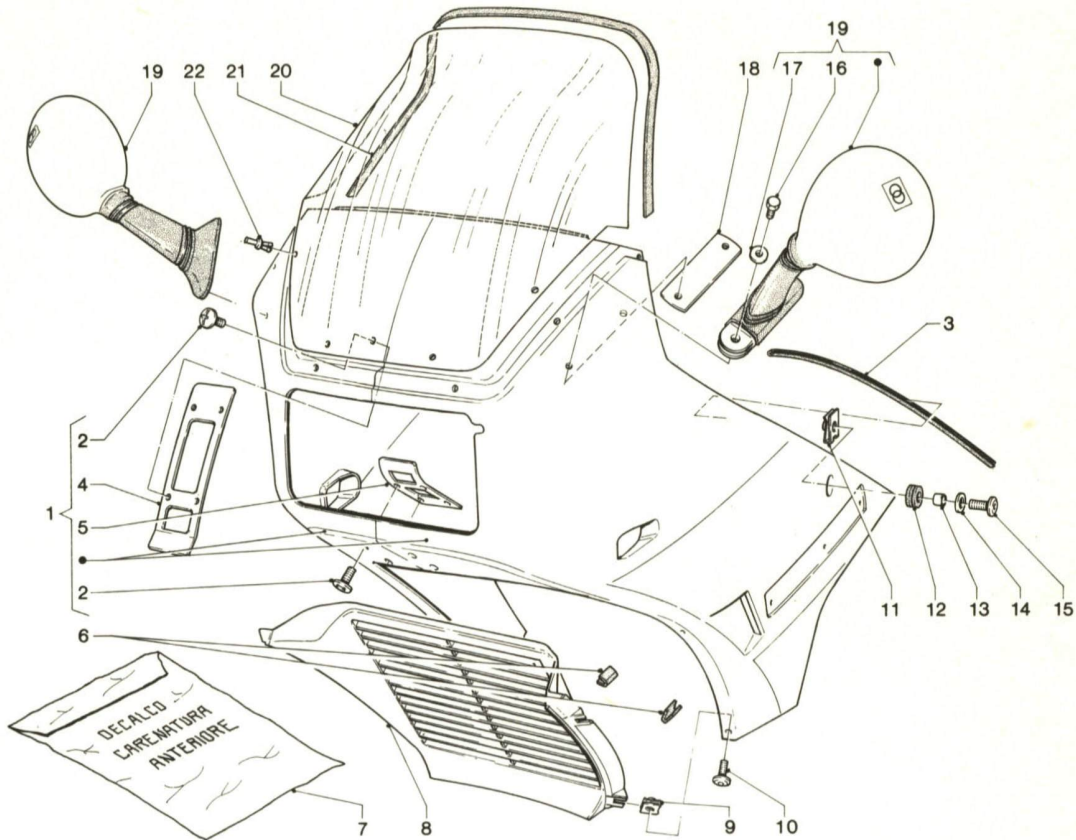
Pos. N.	N. Codice Nr. Code Code No. Code Nr. N. Código	Q.tà Q.té Q.ty M.ge Cant.	Denominazione	Désignation	Description	Beschreibung	Descripción
1	324229	1	Spoiler inferiore	Spoiler inférieur	Lower spoiler	Unter Spoiler	Spoiler infer.
2	323114	4	Gommino	Caoutchouc	Rubber	Gummistück	Goma
3	323704	4	Distanziale	Entretoise	Spacer	Distanzstück	Separador
4	319363	4	Vite	Vis	Screw	Schraube	Tornillo
5	319202	2	Dado speciale	Ecrou spéc.	Spec. nut	Mutter	Dado esp.
6	318595	1	Serie decalcom. KZ bianco	Coll. décalcom. KZ blanc	Sticker set KZ, white	Abziehbild Satz KZ, weiss	Serie decalcom. KZ blanco
6	305774	1	Serie decalcom. KZ nero	Coll. décalcom. KZ noir	Sticker set KZ, black	Abziehbild Satz KZ, schwarz	Serie decalcom. KZ negro
6	305820	1	Serie decalcom. KZ END bianco/rosso - bianco/blu	Coll. décalcom. KZ END blanc/rouge - blanc/bleu	Sticker set KZ END, white/red - white/blue	Abziehbild Satz KZ END, weiss/rot - weiss/blau	Serie decalcom. KZ END blanco/rojo - blanco/azul
6	305844	1	Serie decalcom. KZ END nero	Coll. décalcom. KZ END noir	Sticker set KZ END, black	Abziehbild Satz KZ END, schwarz	Serie decalcom. KZ END negro



**CARENATURA - SPECCHI RETROVISORI**  
**CARENAGE - RETROVISEURS**  
**FAIRING - MIRRORS**  
**VERKLEIDUNG - RÜCKSPIEGEL**  
**CARENADO - ESPEJOS RETROVISORES**

**02**

**5.01**



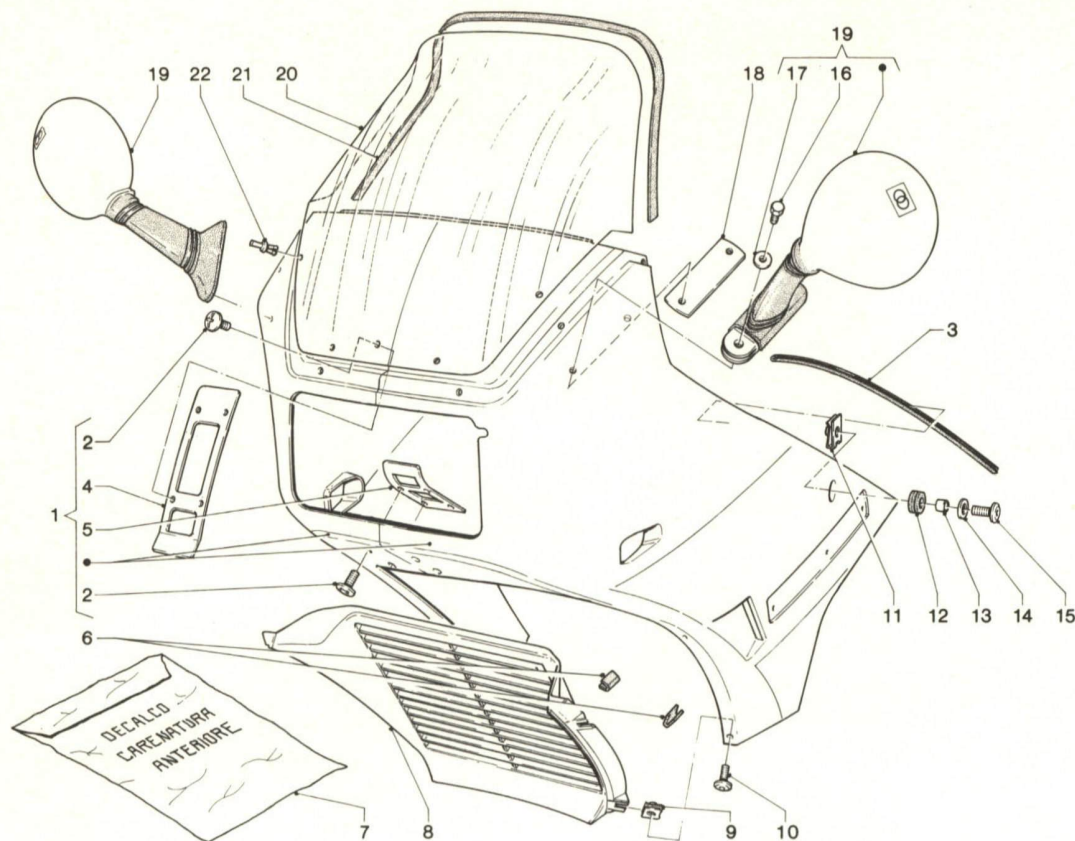
Pos. N.	N. Codice Nr. Code Code No. N. Código	Q.tà Q.té Q.ty M.ge Cant.	Denominazione	Désignation	Description	Beschreibung	Descripción
1	329428	1	Carenatura KZ	Carénage KZ	Fairing, KZ	Verkleidung, KZ	Carenado KZ
1	343403	1	Carenatura KZ END	Carénage KZ END	Fairing, KZ END	Verkleid., KZ END	Carenado KZ END
2	319357	8	Vite	Vis	Screw	Schraube	Tornillo
3	327282	2	Profilo carena	Profile carénage	Fairing strip	Verkleidungsprofil	Perfil carenado
4	327348	1	Piastra superiore	Plaque supérieure	Upper plate	Ob. Platte	Placa superior
5	327347	1	Piastra inf. KZ	Plaque inf. KZ	Lower plate, KZ	Unt. Platte, KZ	Placa inf. KZ
5	343406	1	Piastra inf. KZ END	Plaque inf. KZ END	Low.plate, KZ END	Unt. Platte, KZ END	Placa inf. KZ END
6	327549	2	Profilo in gomma	Profile en caoutch.	Rubber strip	Profilgummi	Perfil de goma
7	318593	1	Decalco caren. anter., KZ bianco	Décalc. carénage AV, KZ blanc	Front fairing sticker, KZ white	Vord. Verkleidung Abzieh., KZ weiss	Decalc. caren. anterior, KZ blanco
7	<del>305771</del> 315771	1	Decalco caren. anter., KZ nero	Décalc. carénage AV, KZ noir	Front fairing sticker, KZ black	Vord. Verkleidung Abz., KZ schwarz	Decalc. caren. anterior, KZ negro
7	305818	1	Decalco caren. anter., KZ END bianco/rosso	Décalc. carénage AV, KZ END blanc/rouge	Front fairing sticker, KZ END white/red	Vord. Verkleidung Abzieh., KZ END weiss/rot	Decalc. caren. anterior, KZ END blanco/rojo
7	305842	1	Decalco caren. anter., KZ END nero	Décalc. carénage AV, KZ END noir	Front fairing sticker, KZ END black	Vord. Verkleidung Abzieh., KZ END schwarz	Decalc. caren. anterior, KZ END negro
7	305883	1	Decalco caren. anter., KZ END bianco/blu	Décalc. carénage AV, KZ END blanc/bleu	Front fairing sticker, KZ END white/blue	Vord. Verkleidung Abzieh., KZ END weiss/blau	Decalc. caren. anterior, KZ END blanco/azul

02

CARENATURA - SPECCHI RETROVISORI  
 CARENAGE - RETROVISEURS  
 FAIRING - MIRRORS  
 VERKLEIDUNG - RÜCKSPIEGEL  
 CARENADO - ESPEJOS RETROVISORES



5.01



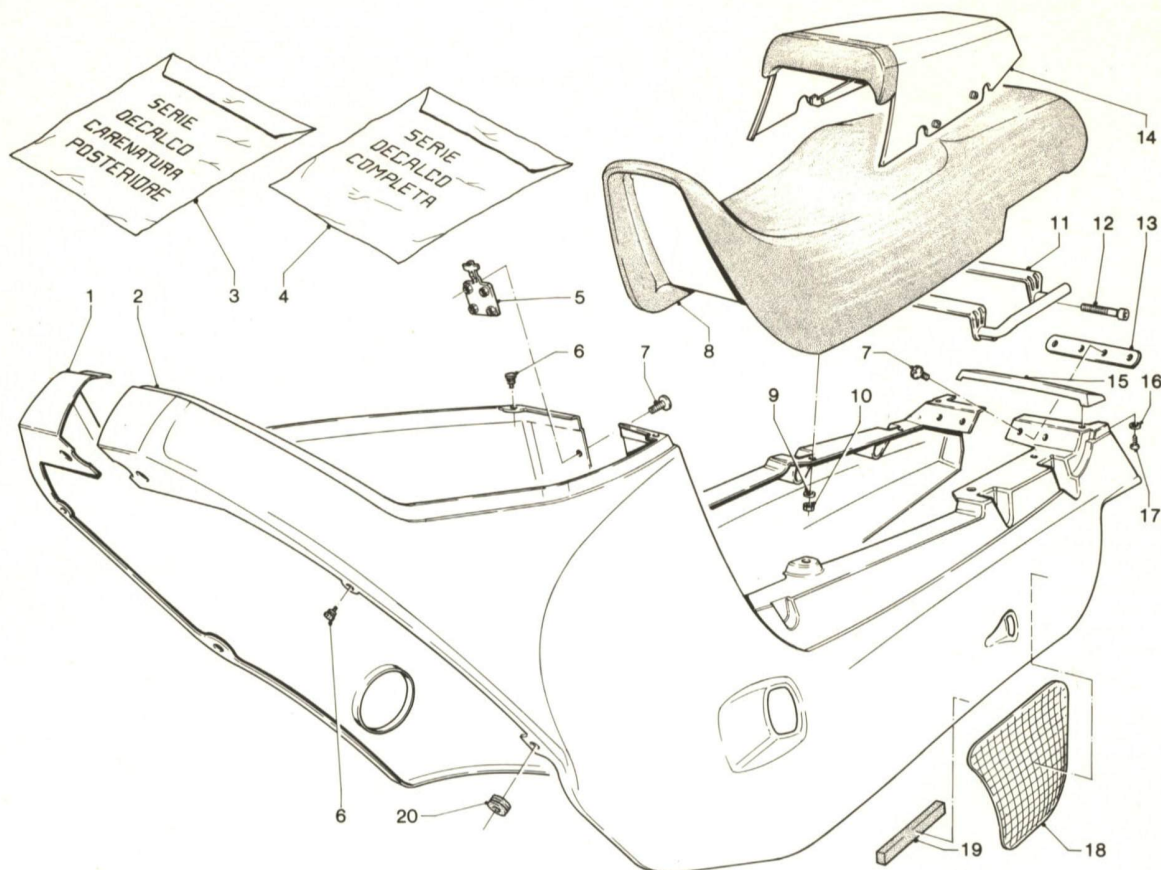
Pos. N.	N. Codice Nr. Code Code No. Code Nr. N. Código	Q.tà Q.té Q.ty M.ge Cant.	Denominazione	Désignation	Description	Beschreibung	Descripción
8	324316	1	Griglia	Grille	Grid	Kühlerschutz	Parrilla
9	309173	4	Dado speciale	Ecrou	Nut	Mutter	Dado
10	319348	4	Vite fiss.	Vis	Screw	Schraube	Tornillo
11	319202	2	Dado speciale	Ecrou	Nut	Mutter	Dado
12	141590	2	Passacavo	Passe-câble	Grommet	Kabeldurchgang	Pasacable
13	316908	2	Distanziale	Entretoise	Spacer	Distanzstück	Separador
14	S.13880	2	Rondella	Rondelle	Washer	U.Scheibe	Arandela
15	319361	2	Vite	Vis	Screw	Schraube	Tornillo
16	S.31058	4	Vite	Vis	Screw	Schraube	Tornillo
17	60201	4	Rondella	Rondelle	Washer	U.Scheibe	Arandela
18	327318	2	Piastrina	Plaque	Plate	Plättchen	Plaquita
19	327316	2	Specchietto nero	Rétroviseur noir	Mirror, black	R.spiegel, schwarz	Espejito negro
19	327773	2	Specchietto bianco	Rétroviseur blanc	Mirror, white	Rückspiegel, weiss	Espejito blanco
20	327269	1	Trasparente	Transparent	Glass	Glas	Transparente
21	327275	1	Profilo trasparente	Profile transp.	Glass strip	Glasprofil	Perfil transparente
22	341633	6	Rivetto	Rivet	Rivet	Niet	Ribete



**CARENATURA POSTERIORE  
CARENAGE AR  
REAR FAIRING  
HINTERE VERKLEIDUNG  
CARENADO POSTERIOR**

**02**

**6.01**



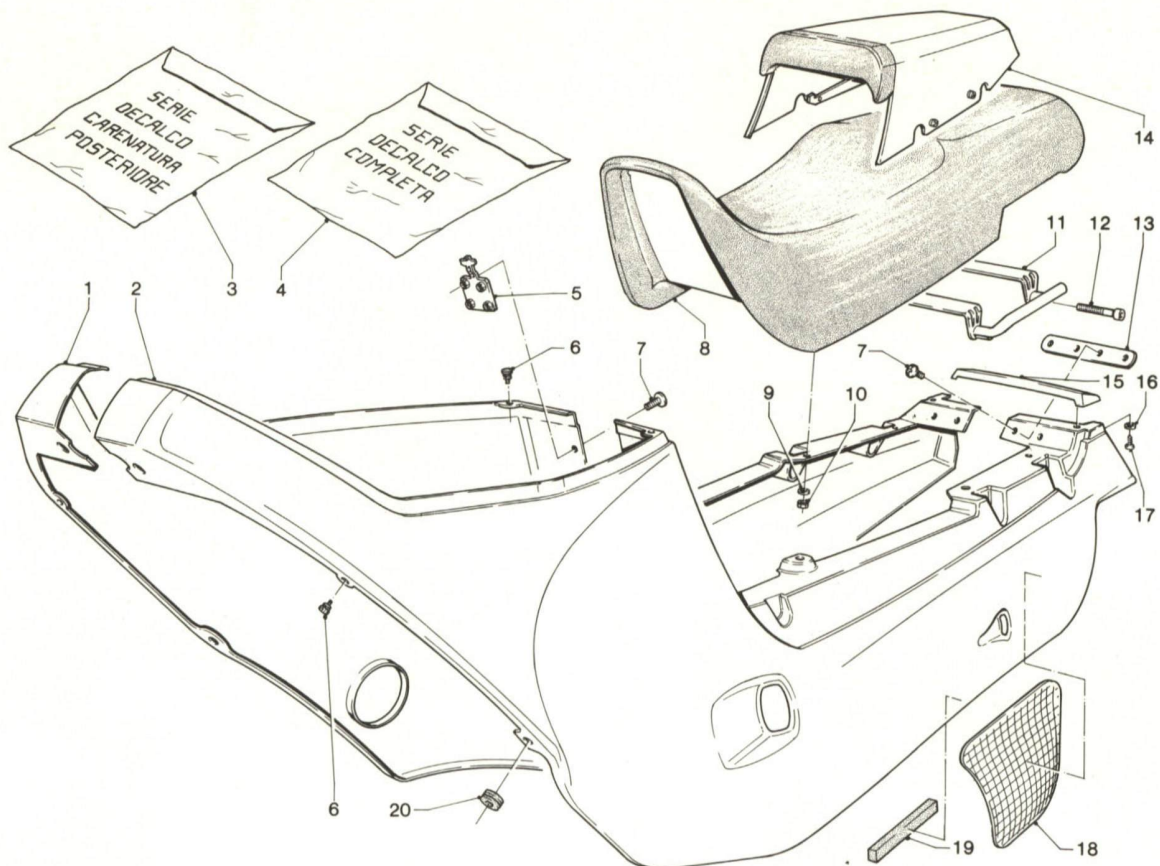
Pos. N.	N. Codice Nr. Code Code No. Code Nr. N. Código	Q.tà Q.té Q.ty M.ge Cant.	Denominazione	Désignation	Description	Beschreibung	Descripción
1	327467	1	Semicarenatura dx	Demi-carénage dr.	Half-fairing, R.H.	Half-Verkleidung r.	Semicarenado der.
1	318828	1	Semicarenatura dx KZ END bianco/rosso	Demi-carénage dr. KZ END blanc/rouge	Half-fairing, R.H. KZ END white/red	Half-Verkleidung r. KZ END weiss/rot	Semicarenado der. KZ END blanco/rojo
2	327468	1	Semicarenatura sx	Demi-carénage g.	Half-fairing, L.H.	Half-Verkleidung l.	Semicarenado izq.
2	318829	1	Semicarenatura sx KZ END bianco/rosso	Demi-carénage g. KZ END blanc/rouge	Half-fairing, L.H. KZ END white/red	Half-Verkleidung l. KZ END weiss/rot	Semicarenado izq. KZ END blanco/rojo
3	318594	1	Serie decalco caren. post. KZ bianco	Collec. décalcom. carén. AR KZ blanc	Sticker set rear fairing, KZ white	Abziebild Satz Hint. Verkl., KZ weiss	Serie decalcom. caren. post. KZ blanco
3	305773	1	Serie decalco caren. post. KZ nero	Collec. décalcom. carén. AR KZ noir	Sticker set rear fairing, KZ black	Abziebild Satz Hint. Verkl., KZ schwarz	Serie decalcom. caren. post. KZ negro
3	305819	1	Serie decalco car. post. KZ END bianco/rosso	Collec. décalcom. carén. AR KZ END blanc/rouge	Sticker set r. fairing, KZ END white/red	Abziebild Satz H. Verkl., KZ END weiss/rot	Serie decalcom. car. post. KZ END blanco/rojo
3	305843	1	Serie decalco car. post. KZ END nero	Collec. décalcom. carén. AR KZ END noir	Sticker set r. fairing, KZ END black	Abziebild Satz H. Verkl., KZ END schwarz	Serie decalcom. car. post. KZ END negro
3	305884	1	Serie decalco car. post. KZ END bianco/blu	Collec. décalcom. carén. AR KZ END blanc/bleu	Sticker set r. fairing KZ END white/blue	Abziebild Satz H. Verkl., KZ END weiss/blau	Serie decalcom. car. post. KZ END blanco/azul
4	318596	1	Serie decalco compl. KZ bianco	Collec. décalcom. compl. KZ blanc	Sticker set assy. KZ white	Abziebild Satz kpl., KZ weiss	Serie decalcom. compl. KZ blanco
4	318665	1	Serie decalco compl. KZ nero	Collec. décalcom. compl. KZ noir	Sticker set assy. KZ black	Abziebild Satz kpl. KZ schwarz	Serie decalcom. compl. KZ negro
4	305821	1	Serie decalco compl. KZ END bianco/rosso	Collec. décalcom. compl. KZ END blanc/rouge	Sticker set assy. KZ END white/red	Abziebild Satz kpl. KZ END weiss/rot	Serie decalcom. compl. KZ END blanco/rojo

02

CARENATURA POSTERIORE  
CARENAGE AR  
REAR FAIRING  
HINTERE VERKLEIDUNG  
CARENADO POSTERIOR



6.01



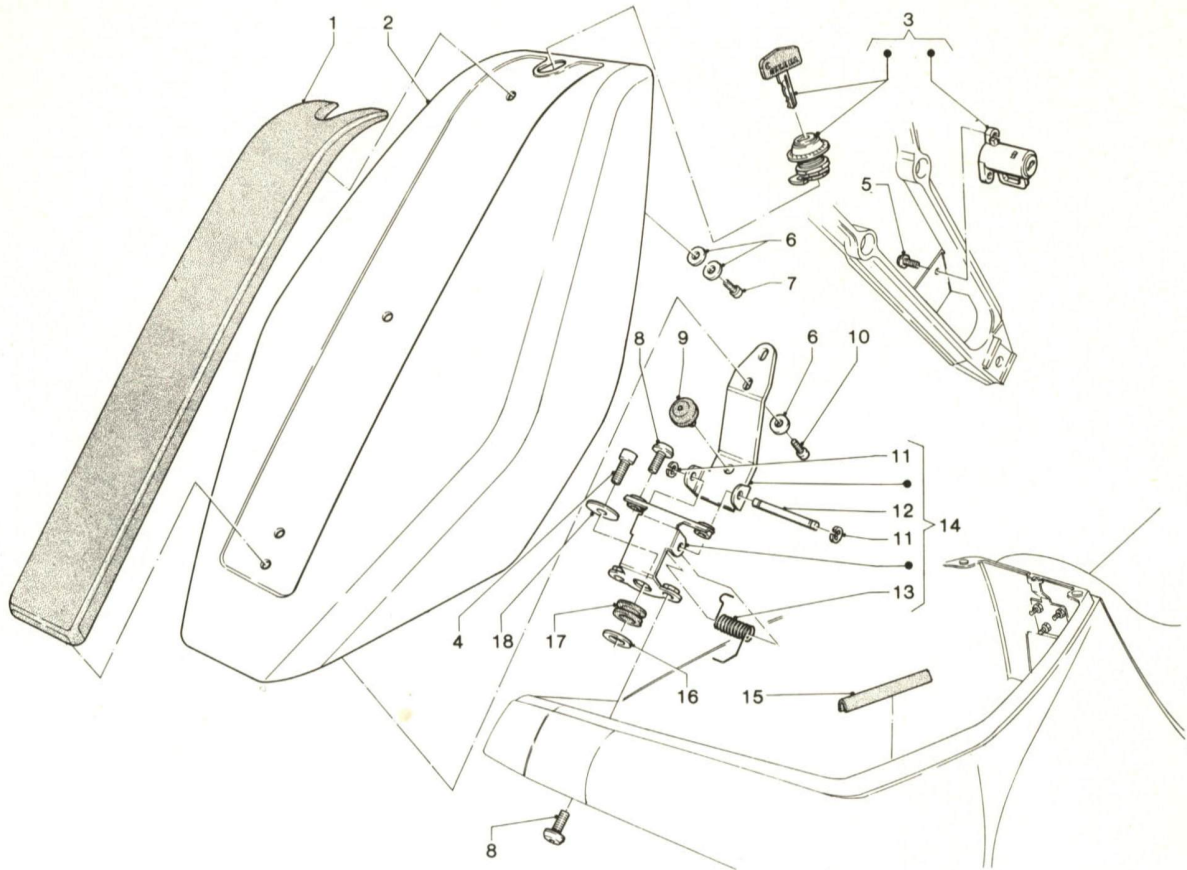
Pos. N.	N. Codice Nr. Code Code No. Code Nr. N. Código	Q.tà Q.té Q.ty M.ge Cant.	Denominazione	Désignation	Description	Beschreibung	Descripción
4	305845	1	Serie decalco compl. KZ END nero	Collec. décalcom. compl. KZ END noir	Sticker set assy., KZ END black	Abziebild Satz kpl., KZ END schwarz	Serie decalcom. compl. KZ END negro
4	305885	1	Serie decalco compl. KZ END bianco/blu	Collec. décalcom. compl. KZ END blanc/bleu	Sticker set assy., KZ END white/blue	Abziebild Satz kpl., KZ END weiss/blau	Serie decalcom. compl. KZ END blanco/azul
5	324299	1	Piastra	Plaque	Plate	Plättchen	Placa
6	327412	6	Tampone	Silentbloc	Buffer	Puffer	Tapón
7	319357	8	Vite	Vis	Screw	Schraube	Tornillo
8	324249	1	Sella rossa	Selle rouge	Saddle, red	Sattel, rot	Silla roja
8	327797	1	Sella blu	Selle bleu	Saddle, blue	Sattel, blau	Silla azul
8	329435	1	Sella nera	Selle noir	Saddle, black	Sattel, schwarz	Silla negra
9	319153	6	Rondella	Rondelle	Washer	U.Scheibe	Arandela
10	195482	6	Dado	Ecrou	Nut	Mutter	Dado
11	327498	1	Maniglia	Poignée	Handle	Haltergriff	Manija
12	319342	4	Vite	Vis	Screw	Schraube	Tornillo
13	324300	1	Piastra post.	Plaque AR	Rear plate	Hint. Platte	Placa post.
14	327808	1	Coprisella blu	Couvre-selle bleu	Saddle guard, blue	Sattelschutz, blau	Cubre-silla azul
14	327817	1	Coprisella nero	Couvre-selle noir	Saddle guard, black	S.schutz, schwarz	Cubre-silla negro
14	327885	1	Coprisella bianco/rosso	Couvre-selle blanc/rouge	Saddle guard, white/red	Sattelschutz, weiss/rot	Cubre-silla blanco/rojo
15	324284	1	Coperchio post.	Couvercle AR	Rear cover	Hint. Deckel	Tapa post.
16	S.13763	2	Rondella	Rondelle	Washer	U.Scheibe	Arandela
17	S.15727	2	Vite autofilettante	Vis auto-taraud.	Self-thr. screw	Blehschraube	Tornillo autorr.
18	327268	1	Protezione adesiva	Protection	Protection	Schutz	Protección
19	327434	2	Tampone	Silentbloc	Buffer	Puffer	Tapón
20	141590	2	Passacavo	Passe-câble	Grommet	Kabeldurchgang	Pasacable



**COPERCHIO - CARENATURA POSTERIORE**  
**COUVERCLE - CARENAGE AR**  
**COVER - REAR FAIRING**  
**DECKEL - HINTERE VERKLEIDUNG**  
**TAPA - CARENADO POSTERIOR**

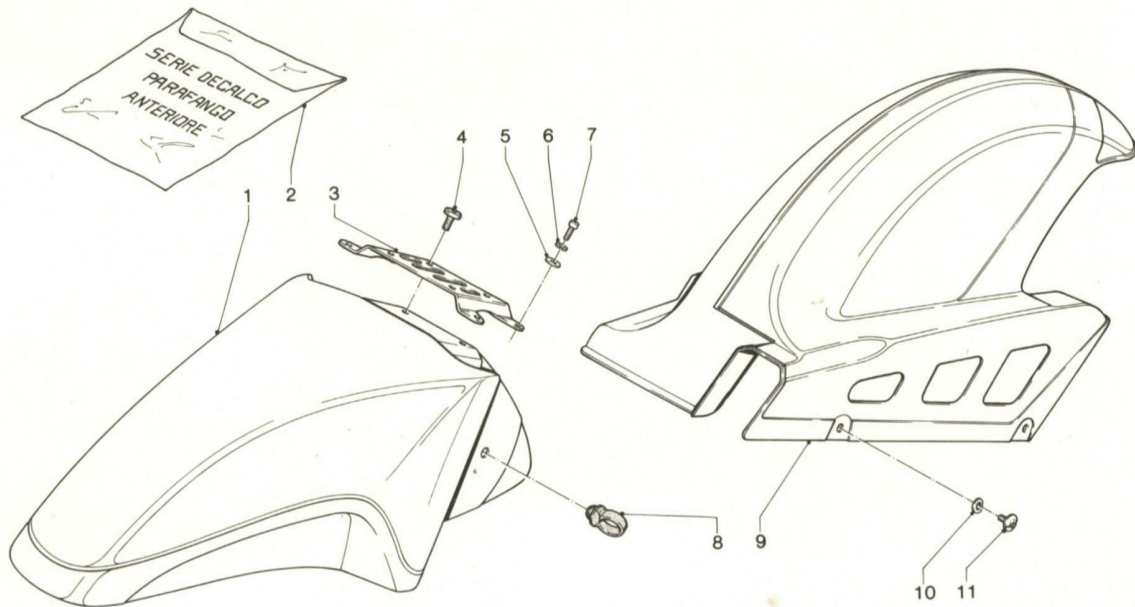
**02**

**7.01**



Pos. N.	N. Codice Nr. Code Code No. Code Nr. N. Código	Q.tà Q.ty M.ge Cant.	Denominazione	Désignation	Description	Beschreibung	Descripción
1	324281	1	Protezione super.	Protection supér.	Upper protection	Ob. Schutz	Protección super.
2	327182	1	Coperchio	Couvercle	Cover	Deckel	Tapa
3	327244	1	Serie serrature	Groupe serrures	Security lock set	Serie Schloss	Serie cerr.
4	S.15766	1	Vite	Vis	Screw	Schraube	Tornillo
5	319195	2	Vite	Vis	Screw	Schraube	Tornillo
6	60201	4	Rondella	Rondelle	Washer	U.Scheibe	Arandela
7	319092	2	Vite	Vis	Screw	Schraube	Tornillo
8	319357	4	Vite	Vis	Screw	Schraube	Tornillo
9	214491	1	Tampone	Silentbloc	Buffer	Puffer	Tapón
10	315092	2	Vite	Vis	Screw	Schraube	Tornillo
11	S.5965	2	Anello elastico	Bague élastique	Spring ring	Federring	Anillo elástico
12	324291	1	Perno	Pivot	Pin	Zapfen	Perno
13	324294	1	Molla	Ressort	Spring	Feder	Resorte
14	324311	1	Piastra compl.	Plaque compl.	Plate, assy.	Platte, kpl.	Placa compl.
15	327549	2	Profilo in gomma	Profil en caoutch.	Rubber strip	Profilgummi	Perfil de goma
16	S.16627	1	Rondella	Rondelle	Washer	U.Scheibe	Arandela
17	319320	1	Passacavo ant.	Passe-câble AV	Front grommet	V. Kabeldurchgang	Pasacable ant.
18	S.13889	1	Rondella	Rondelle	Washer	U.Scheibe	Arandela

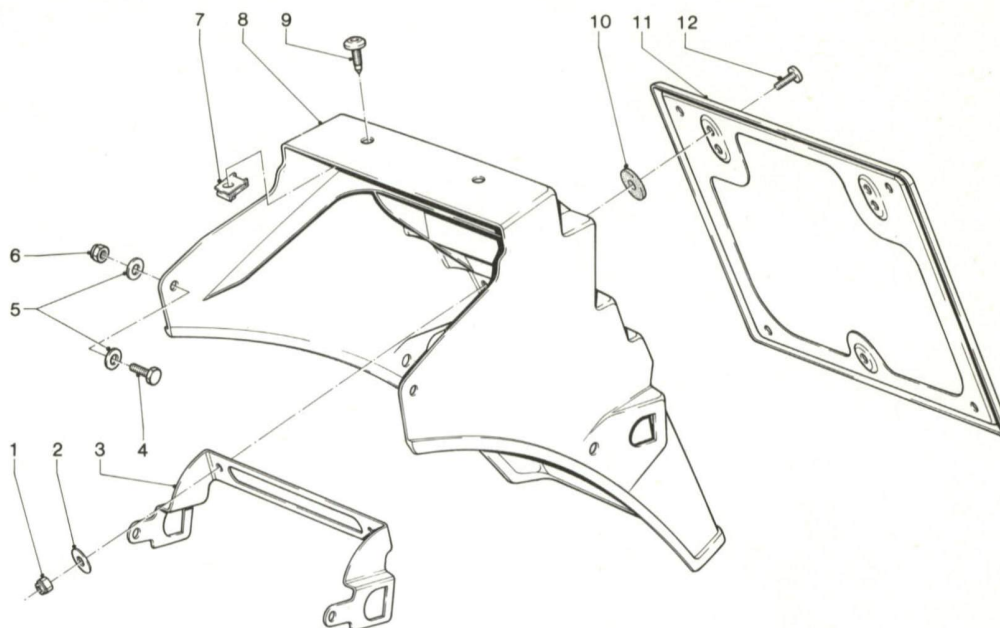
<b>02</b>	<b>PARAFANGO ANTERIORE - COPRIRUOTA POSTERIORE</b> <b>GARDE-BOUE AV - CACHE-ROUE AR</b> <b>FRONT MUDGUARD - REAR WHEEL COVER</b> <b>KOTFLÜGEL, VORN - RADDECKEL, HINT.</b> <b>GUARDABARROS ANTERIOR - CUBRERUEDA POSTERIOR</b>	
<b>8.01</b>		



Pos. N.	N. Codice Nr. Code Code No. Code Nr. N. Código	Q.tà Q.té Q.ty M.ge Cant.	Denominazione	Désignation	Description	Beschreibung	Descripción
1	327220	1	Parafango ant.	Garde-boue AV	Front mudguard	Vord. Kotflügel	Guardabarros ant.
2	318592	1	Serie decalco parafango ant. bianco	Collec. décalcom. garde-boue AV blanc	Sticker set, front mudguard white	Abziehbild Satz, vord. Kotflügel weiss	Serie decalcom. guardabarros ant. blanco
2	305817	1	Serie decalco parafango ant. bianco/rosso	Collec. décalcom. garde-boue AV blanc/rouge	Sticker set, front mudguard white/red	Abziehbild Satz, vord. Kotflügel weiss/rot	Serie decalcom. guardabarros ant. blanco/rojo
2	305841	1	Serie decalco parafango ant. nero	Collec. décalcom. garde-boue AV noir	Sticker set, front mudguard black	Abziehbild Satz, vord. Kotflügel schwarz	Serie decalcom. guardabarros ant. negro
2	305882	1	Serie decalco parafango ant. bianco/blu	Collec. décalcom. garde-boue AV blanc/bleu	Sticker set, front mudguard white/blue	Abziehbild Satz, vord. Kotflügel weiss/blau	Serie decalcom. guardabarros ant. blanco/azul
3	324282	1	Cavallotto	Pontet	Bracket	Brücke	Caballette
4	319357	4	Vite	Vis	Screw	Schraube	Tornillo
5	S.3056	4	Rondella	Rondelle	Washer	U.Scheibe	Arandela
6	S.16406	4	Rondella elastica	Rondelle élastique	Spring washer	Federring	Arandela elástica
7	319204	4	Vite	Vis	Screw	Schraube	Tornillo
8	327425	1	Ritegno tubo freno	Support tuyau frein	Brake tube holder	Schlauchhalter	Retén tubo freno
9	327169	1	Copriruota post. nero	Cache-roue AR noir	Rear wheel cover black	Hint. Raddeckel schwarz	Cubreruota post. negro
9	327758	1	Copriruota post. bianco	Cache-roue AR blanc	Rear wheel cover white	Hint. Raddeckel weiss	Cubreruota post. blanco
10	S.6976	4	Rondella elastica	Rondelle élastique	Spring washer	Federring	Arandela elástica
11	319359	4	Vite	Vis	Screw	Schraube	Tornillo

**GILERA**

**PARAFANGO POSTERIORE  
GARDE-BOUE AR  
REAR MUDGUARD  
KOTFLÜGEL, HINTEN  
GUARDABARROS POSTERIOR**

**02****9.00**

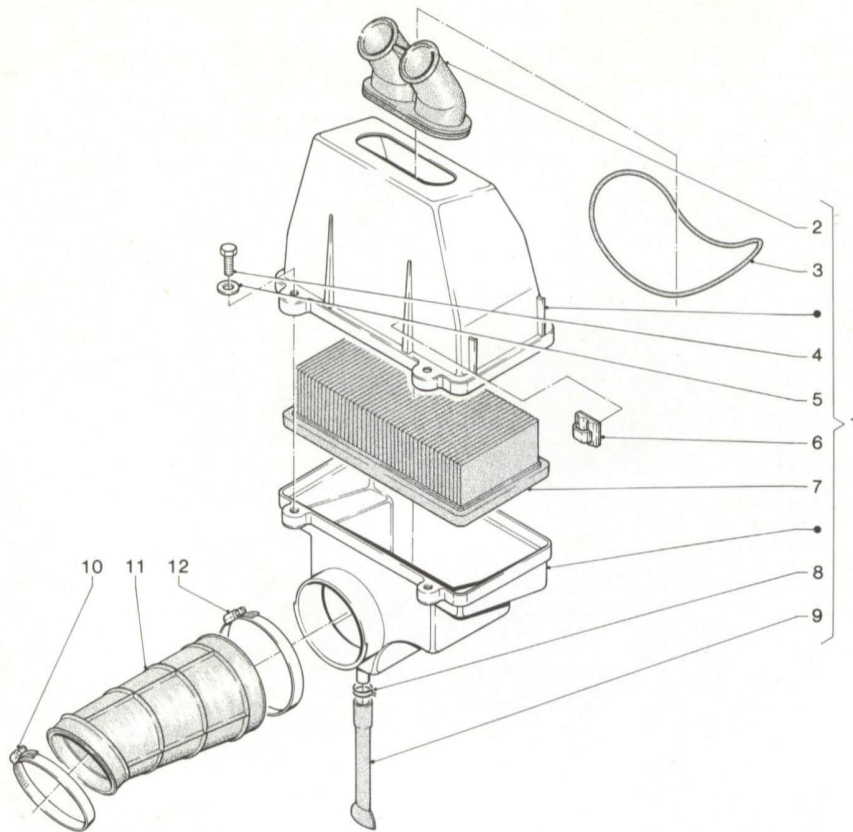
Pos. N.	N. Codice Nr. Code Code No. Code Nr. N. Código	Q.tà Q.té Q.ty M.ge Cant.	Denominazione	Désignation	Description	Beschreibung	Descripción
1	S.12112	3	Dado autoblocc.	Ecrou à autobloc.	Self-locking nut	Selbstsich. Mutter	Dado autobl.
2	S.13754	3	Rondella	Rondelle	Washer	U.Scheibe	Arandela
3	324131	1	Staffa	Etrier	Bracket	Halter	Brida
4	S.31087	2	Vite	Vis	Screw	Schraube	Tornillo
5	319153	4	Rondella	Rondelle	Washer	U.Scheibe	Arandela
6	195482	2	Dado autoblocc.	Ecrou à autobloc.	Self-locking nut	Selbstsich. Mutter	Dado autobl.
7	319202	2	Dado speciale	Ecrou	Nut	Mutter	Dado
8	324130	1	Parafango post.	Garde-boue AR	Rear mudguard	Hint. Kotflügel	Guardabarros post.
9	312701	2	Vite	Vis	Screw	Schraube	Tornillo
10	330111	3	Gommino	Caoutchouc	Rubber	Gummistück	Goma
11	322160	1	Portatarga	Porte plaque pol.	Number pl. holder	Nummersch.halter	Portamatrícula
12	319192	3	Vite	Vis	Screw	Schraube	Tornillo

02

SCATOLA DEPURATORE  
BOITE FILTRE A AIR  
AIR CLEANER  
LUFFILTER  
CAJA DEPURADOR

GILERA

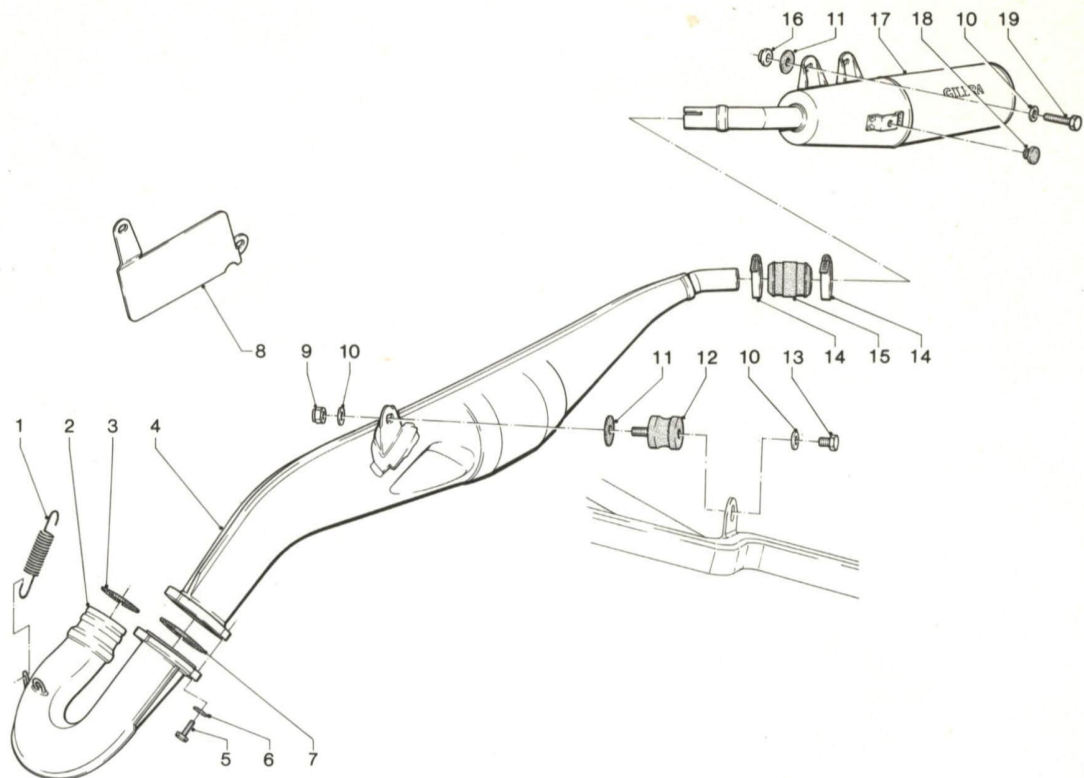
10.00



Pos. N.	N. Codice Nr. Code Code No. N. Código	Q.tà Q.té Q.ty M.ge Cant.	Denominazione	Désignation	Description	Beschreibung	Descripción
1	324146	1	Scatola depuratore compl.	Boîte filtre à air compl.	Air cleaner, assy.	Luffilter, kpl.	Caja depurador compl.
2	327489	1	Manicotto	Manchon	Union	Stutzen	Manquito
3	327247	1	Anello elastico	Bague élastique	Spring ring	Federring	Anillo elástico
4	S.31087	3	Vite	Vis	Screw	Schraube	Tornillo
5	S.13880	3	Rondella	Rondelle	Washer	U.Scheibe	Arandela
6	327241	1	Fermo cavo	Fixe-câble	Cable fastener	Kabelbefestigung	Retén cable
7	328413	1	Filtro aria	Filtre à air	Air filter	Luffilter	Filtro aire
8	327417	1	Molletta	Ressort	Spring	Feder	Resorte
9	328099 <sup>3x3087</sup>	1	Tubo spurgo	Tuyau d'évent	Breather pipe	Entlüfterrohr	Tubo desahogo
10	309945	1	Fascetta	Collier	Clamp	Schelle	Ribete
11	324220	1	Raccordo	Raccord	Union	Anschluss	Conexión
12	G.400593	1	Fascetta	Collier	Clamp	Schelle	Ribete

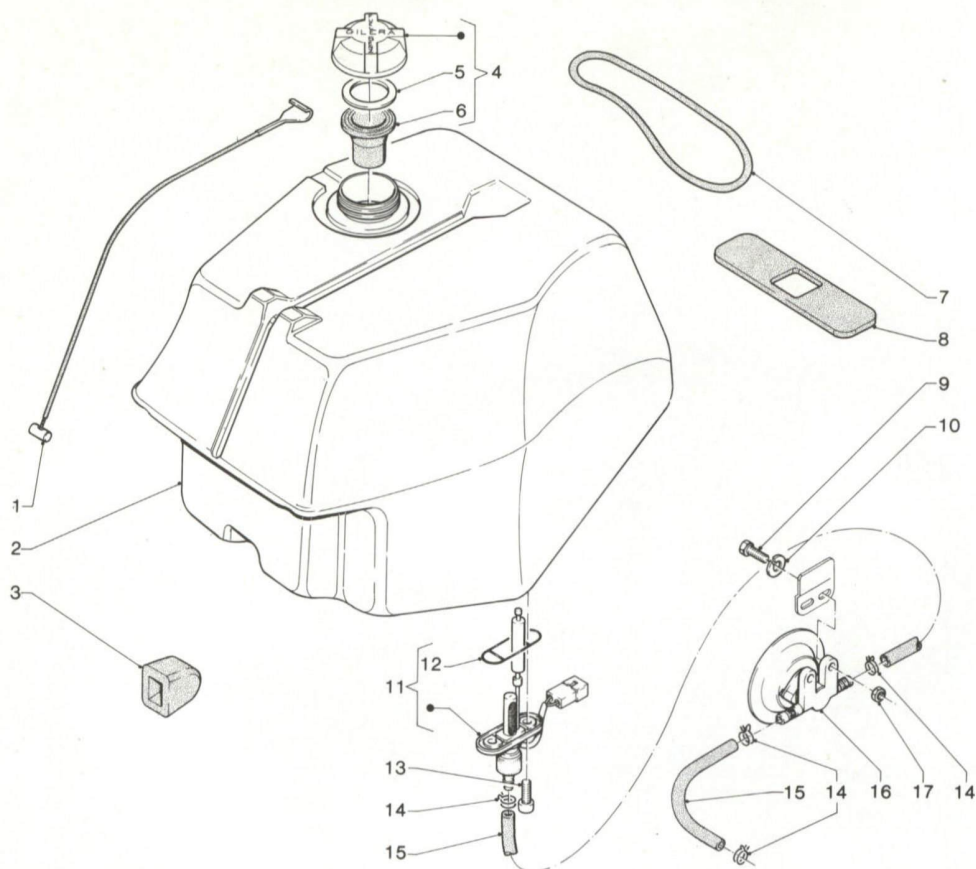
**GILERA**

**MARMITTA - SILENZIATORE DI SCARICO**  
**POT D'ÉCHAPPEMENT - SILENCIEUX**  
**EXHAUST TUBE - SILENCER**  
**AUSPUFFROHR - SCHALLDÄMPFER**  
**TUBO DESAHOGO - SILENCIADOR**

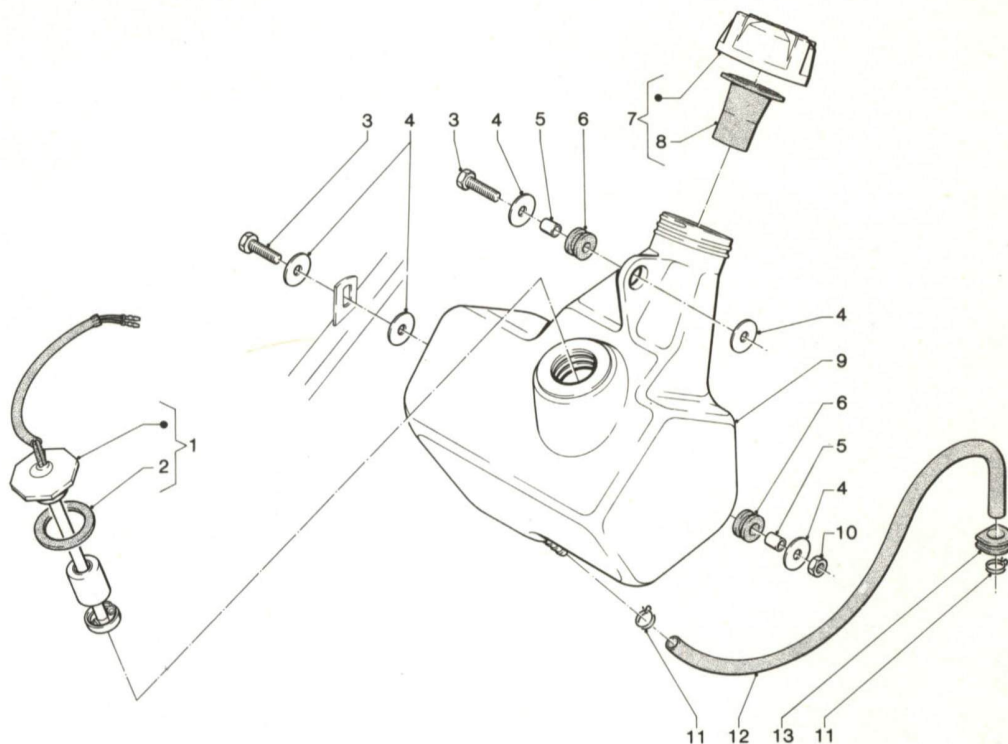
**02****11.00**

Pos. N.	N. Codice Nr. Code Code No. Code Nr. N. Código	Q.tà Q.té Q.ty M.ge Cant.	Denominazione	Désignation	Description	Beschreibung	Descripción
1	316768	2	Molla	Ressort	Spring	Feder	Resorte
2	327557	1	Collettore	Collecteur	Collector	Einlasstutzen	Colector
3	352638	1	Guarnizione	Joint	Packing	Dichtung	Guarnición
4	324231	1	Camera di espans.	Chambre expans.	Exp. chambre	Auspufftopf	Cámara de expans.
5	S.31088	2	Vite	Vis	Screw	Schraube	Tornillo
6	319293	2	Rondella	Rondelle	Washer	U.Scheibe	Arandela
7	324250	1	Guarnizione	Joint	Packing	Dichtung	Guarnición
8	327258	1	Piastra paracalore	Plaque	Plate	Platte	Placa
9	S.2438	1	Dado	Ecrou	Nut	Mutter	Dado
10	G.28723	4	Rondella	Rondelle	Washer	U.Scheibe	Arandela
11	345379	3	Guarnizione	Joint	Packing	Dichtung	Guarnición
12	345358	1	Silent-bloc	Silentbloc	Buffer	Puffer	Tapón
13	31112	1	Vite	Vis	Screw	Schraube	Tornillo
14	307147	2	Fascetta	Collier	Clamp	Schelle	Ribete
15	327536	1	Manicotto	Manchon	Union	Stutzen	Manguito
16	327449	2	Distanziale	Entretoise	Spacer	Distanzstück	Separador
17	327509	1	Silenziatore	Silencieux	Silencer	Schalldämpfer	Silenciador
18	326572	1	Gommino	Caoutchouc	Rubber	Gummistück	Goma
19	S.31120	2	Vite	Vis	Screw	Schraube	Tornillo

<b>02</b>	<b>SERBATOIO CARBURANTE</b> <b>RESERVOIR CARBURANT</b> <b>FUEL TANK</b> <b>KRAFTSTOFFBEHÄLTER</b> <b>TANQUE CARBURANTE</b>	<b>GILERA</b>
<b>12.00</b>		



Pos. N.	N. Codice Nr. Code Code No. Code Nr. N. Código	Q.tà Q.té Q.ty M.ge Cant.	Denominazione	Désignation	Description	Beschreibung	Descripción
1	327219	1	Cavo ferma serb.	Câble fixe réservoir	F. tank sec. cable	Behälter Kabel	Cavo reten. tanque
2	327176	1	Serbatoio	Réservoir	Fuel tank	Kraftstoffbehälter	Tanque
3	327181	2	Tampone	Silentbloc	Buffer	Puffer	Tapón
4	327180	1	Tappo completo	Bouchon compl.	Filler cap, assy.	Tankverschluss, k.	Tapón completo
5	319351	1	Rondella	Rondelle	Washer	U.Scheibe	Arandela
6	141928	1	Guarnizione	Joint	Packing	Dichtung	Guarnición
7	327247	7	Anello elastico	Bague élastique	Spring ring	Federring	Anillo elástico
8	327189	1	Fustellato autoad.	Adhésif en caoutchouc	Rubber pad	Gummistück	Autoadhesivo
9	S.31088	2	Vite	Vis	Screw	Schraube	Tornillo
10	S.13880	2	Rondella elastica	Rondelle élastique	Spring washer	Federring	Arandela elástica
11	327566	1	Indicatore riserva	Jauge rés. d'ess.	Fuel reserve gauge	Anzeige für Res.	Indicador reserva
12	327353	1	Guarnizione	Joint	Packing	Dichtung	Guarnición
13	319204	2	Vite	Vis	Screw	Schraube	Tornillo
14	327483	4	Fascetta	Collier	Clamp	Schelle	Ribete
15	125877	2	Tubo carburante	Tuyau d'essence	Fuel line	Schlauch	Tubo carburante
16	327178	1	Rubinetto carb.	Robinet d'ess.	Fuel cock	Kraftstoffhahn	Surtidor carbur.
17	195482	2	Dado autoblocc.	Ecrou à autobloc.	Self-locking nut	Selbstsich. Mutter	Dado autobl.



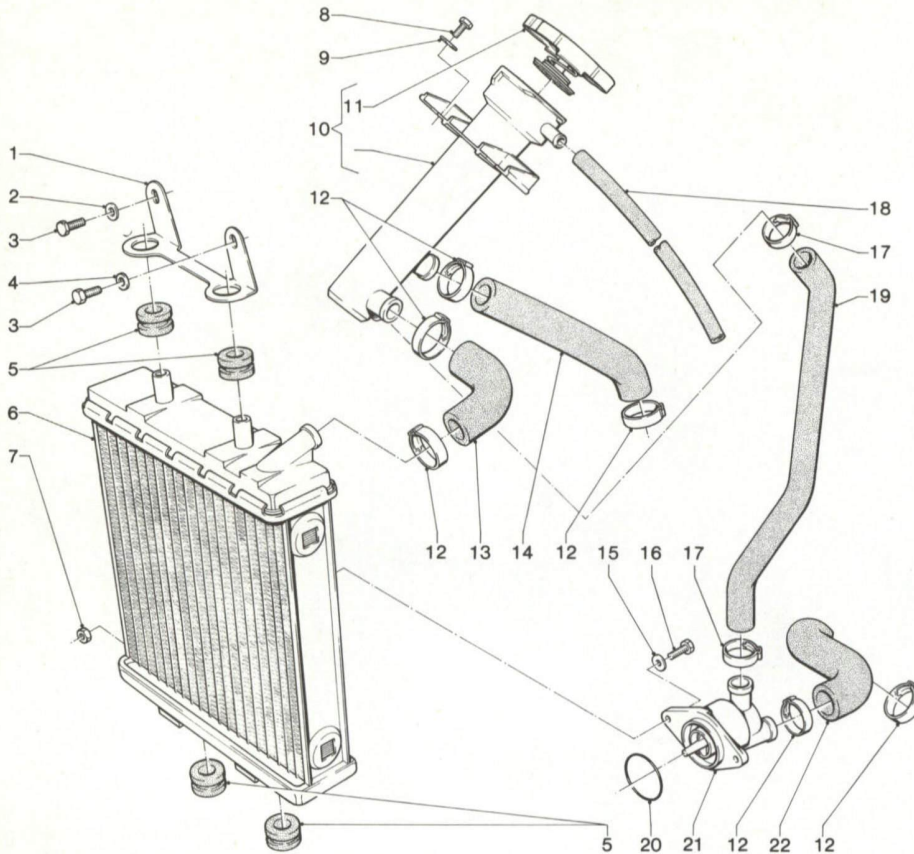
Pos. N.	N. Codice Nr. Code Code No. Code Nr. N. Código	Q.tà Q.té Q.ty M.ge Cant.	Denominazione	Désignation	Description	Beschreibung	Descripción
1	311251	1	Indicatore livello	Jauge d'huile	Oil level gauge	Anzeige f. Ölstand	Indicador nivel
2	309706	1	Guarnizione	Joint	Packing	Dichtung	Guarnición
3	S.31091	2	Vite	Vis	Screw	Schraube	Tornillo
4	S.13092	5	Rondella	Rondelle	Washer	U.Scheibe	Arandela
5	316729	2	Distanziale	Entretoise	Spacer	Distanzstück	Separador
6	217163	2	Tampone	Silentbloc	Buffer	Puffer	Tapón
7	322951	1	Tappo completo	Bouchon compl.	Filler cap, assy.	Tankverschluss, k.	Tapón completo
8	141928	1	Guarnizione	Joint	Packing	Dichtung	Guarnición
9	327175	1	Serbatoio olio	Réservoir d'huile	Oil tank	Ölbehälter	Tanque aceite
10	195482	1	Dado	Ecrou	Nut	Mutter	Dado
11	G.45637	2	Fascetta	Collier	Clamp	Schelle	Ribete
12	125877	1	Tubo olio	Tuyau d'huile	Oil pipe	Ölrohr	Tubo aceite
13	316254	1	Passatubo	Passe-tuyau	Grommet	Kabeldurchgang	Pasador

02

14.00

RADIATORE  
RADIATEUR  
RADIATOR  
KÜHLER  
RADIADOR

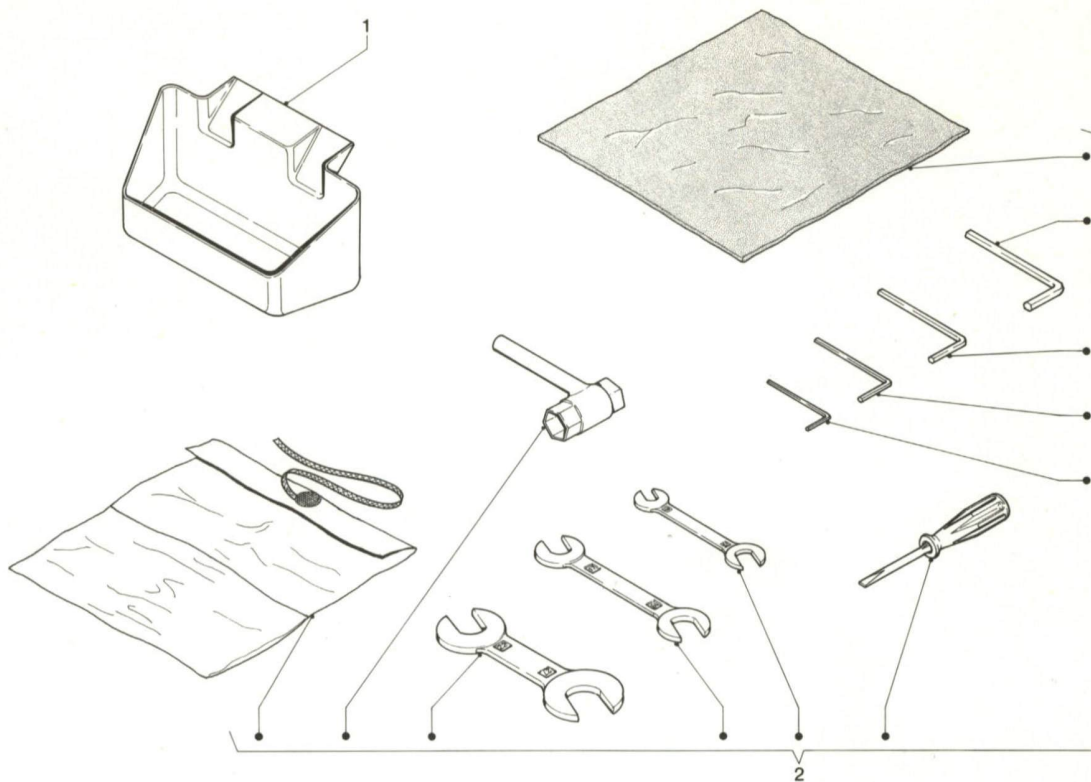
GILERA



Pos. N.	N. Codice Nr. Code Code No. Code Nr. N. Código	Q.tà Q.té Q.ty M.ge Cant.	Denominazione	Désignation	Description	Beschreibung	Descripción
1	324014	2	Piastrina	Plaquette	Plate	Plättchen	Plaquita
2	319153	1	Rondella	Rondelle	Washer	U.Scheibe	Arandela
3	S.31087	2	Vite	Vis	Screw	Schraube	Tornillo
4	S.3056	1	Rondella	Rondelle	Washer	U.Scheibe	Arandela
5	351782	4	Tampone	Silentbloc	Buffer	Puffer	Tapón
6	324154	1	Radiatore	Radiateur	Radiator	Kühler	Radiador
7	S.20105	2	Dado	Ecrou	Nut	Mutter	Dado
8	S.31086	2	Vite	Vis	Screw	Schraube	Tornillo
9	S.13880	2	Rondella	Rondelle	Washer	U.Scheibe	Arandela
10	324183	1	Vaso di caric.	Manchon	Union pipe	Balgen	Copa de carga
11	328000	1	Tappo radiatore	Bouchon radiateur	Radiator cap	Kühlerverschluss	Tapón radiador
12	327196	6	Fascetta	Collier	Clamp	Schelle	Ribete
13	324256	1	Tubo	Tuyau	Tube	Rohr	Tubo
14	324257	1	Tubo	Tuyau	Tube	Rohr	Tubo
15	S.3035	2	Rondella	Rondelle	Washer	U.Scheibe	Arandela
16	319054	2	Vite	Vis	Screw	Schraube	Tornillo
17	327410	2	Fascetta	Collier	Clamp	Schelle	Ribete
18	327470	1	Tubo di sfiato	Tuyau d'évent	Breather pipe	Entlüfterrohr	Tubo de desahogo
19	324258	1	Tubo	Tuyau	Tube	Rohr	Tubo
20	326736	1	Guarnizione	Joint	Packing	Dichtung	Guarnición
21	324153	1	Termostato compl.	Thermostat compl.	Thermostat, assy.	Thermostat, kpl.	Termóstato compl.
22	324163	1	Tubo	Tuyau	Tube	Rohr	Tubo

**GILERA**

**CORREDO ATTREZZI**  
**OUTILLAGE**  
**TOOL KIT**  
**VERKZEUGSATZ**  
**JUEGO HERRAMIENTAS**

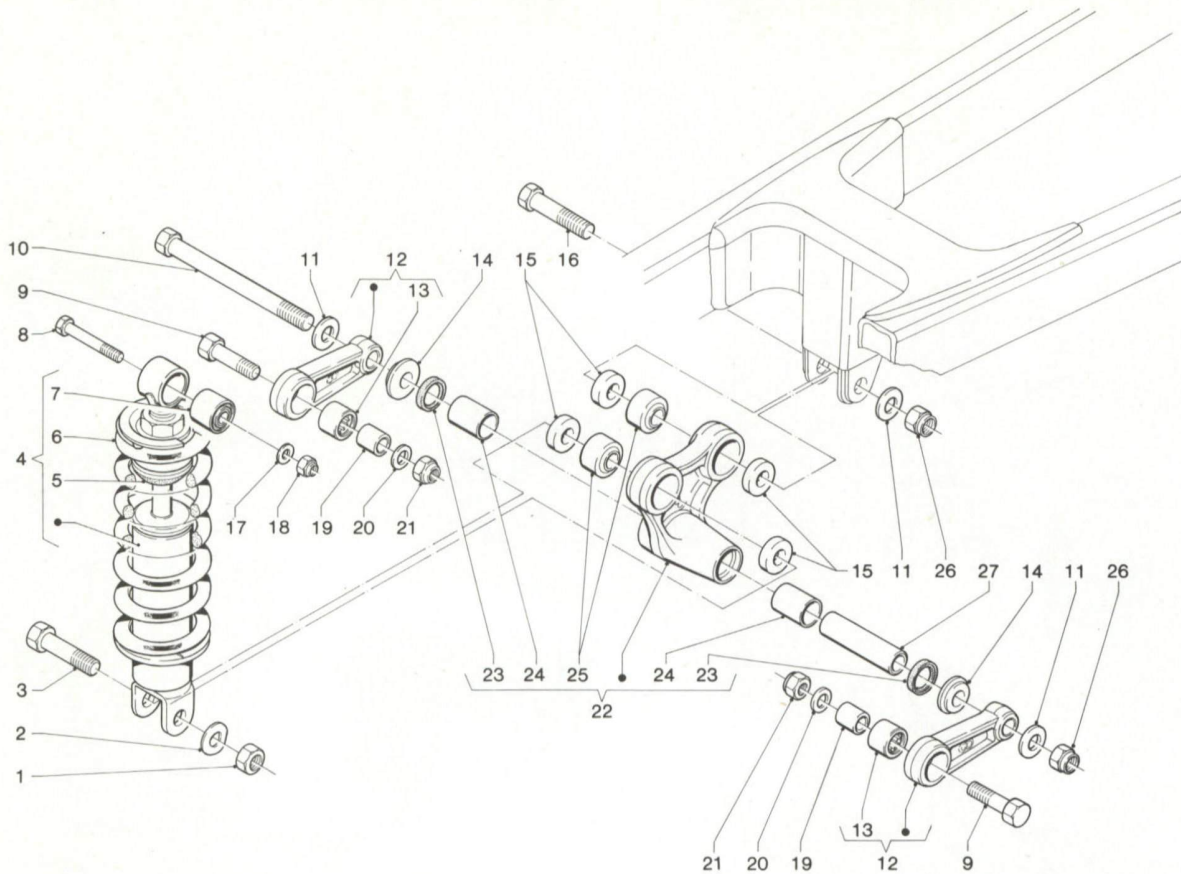
**02****15.00**

Pos. N.	N. Codice Nr. Code Code No. Code Nr. N. Código	Q.tà Q.té Q.ty M.ge Cant.	Denominazione	Désignation	Description	Beschreibung	Descripción
1	327221	1	Vaschetta para attr.	Cuvette	Cup	Gehäuse	Alojamiento herr.
2	327360	1	Corredo compl.	Outillage, compl.	Tool kit, assy.	Verzeugsatz, kpl.	Juego herr. compl.

02

16.00

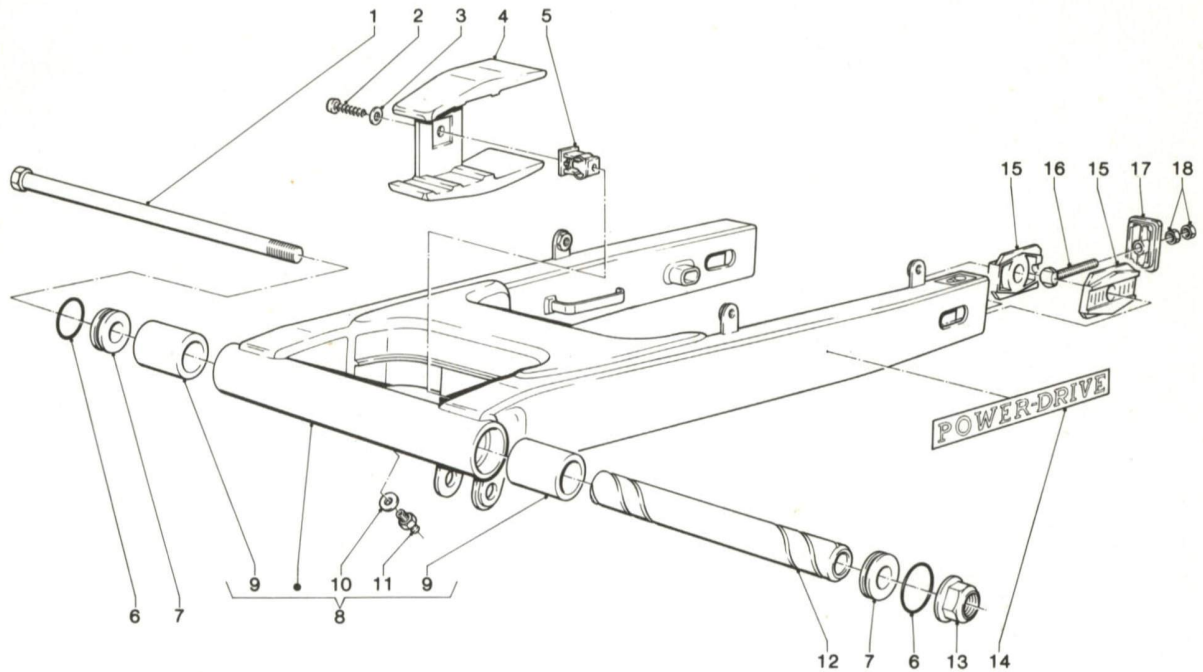
**BIELLE SOSPENSIONE - AMMORTIZZATORE**  
**BIELLES SUSPENSION - AMORTISSEUR**  
**SUSPENSION CONNECTING RODS - DAMPER**  
**GELENKHEBEL DER HINT. RADAUFHÄNGUNG - STOSSDÄMPFER**  
**BIELAS SUSPENSION - AMORTIGUADOR**

**GILERA**

Pos. N.	N. Codice Nr. Code Code No. Code Nr. N. Código	Q.tà Q.té Q.ty M.ge Cant.	Denominazione	Désignation	Description	Beschreibung	Descripción
1	S.20112	1	Dado	Ecrou	Nut	Mutter	Dado
2	S.6982	1	Rondella	Rondelle	Washer	U.Scheibe	Arandela
3	322374	1	Vite	Vis	Screw	Schraube	Tornillo
4	324050	1	Ammortizat. com.	Amortisseur compl.	Damper, compl.	Stossdämpfer, kpl.	Amortiguador com.
5	318598	1	Tampone	Silentbloc	Buffer	Puffer	Tapón
6	318599	1	Molla	Ressort	Spring	Feder	Resorte
7	318597	1	Tampone elast.	Silentbloc	Buffer	Puffer	Tapón
8	319295	1	Vite	Vis	Screw	Schraube	Tornillo
9	319284	2	Vite	Vis	Screw	Schraube	Tornillo
10	319285	1	Vite	Vis	Screw	Schraube	Tornillo
11	307341	3	Rondella	Rondelle	Washer	U.Scheibe	Arandela
12	324077	2	Biella	Bielle	Connecting rod	Pleuelstange	Biela
13	324080	2	Boccola a rulli	Bague à rouleaux	Roller bush	Kugelbüchse	Casquillo con rod.
14	324078	2	Distanziale	Entretoise	Spacer	Distanzstück	Separador
15	316791	4	Distanziale	Entretoise	Spacer	Distanzstück	Separador
16	319336	1	Vite	Vis	Screw	Schraube	Tornillo
17	G.28723	1	Rondella	Rondelle	Washer	U.Scheibe	Arandela
18	319091	1	Dado	Ecrou	Nut	Mutter	Dado
19	324082	2	Distanziale	Entretoise	Spacer	Distanzstück	Separador
20	S.16626	2	Rondella	Rondelle	Washer	U.Scheibe	Arandela
21	S.15235	2	Dado	Ecrou	Nut	Mutter	Dado
22	321769	1	Supporto compl.	Support compl.	Holder, assy.	Halter, kpl.	Soporte compl.
23	322365	2	Anello di tenuta	Bague d'étanchéité	Seal ring	Dichtring	Aro de sujeción
23	321954	2	Anello di tenuta	Bague d'étanchéité	Seal ring	Dichtring	Aro de sujeción
24	322367	2	Boccola	Bague	Bush	Büchse	Casquillo
25	316696	2	Snodo sferico	Articulation à rot.	Ball joint	Kugelgelenk	Junta esférica
26	S.15263	2	Dado	Ecrou	Nut	Mutter	Dado
27	322366	1	Distanziale	Entretoise	Spacer	Distanzstück	Separador

**GILERA**

**FORCELLONE POSTERIORE  
FOURCHE AR  
REAR FORK  
HINTERRADSCHWINGE  
HORQUILLA POSTERIOR**

**02****17.00**

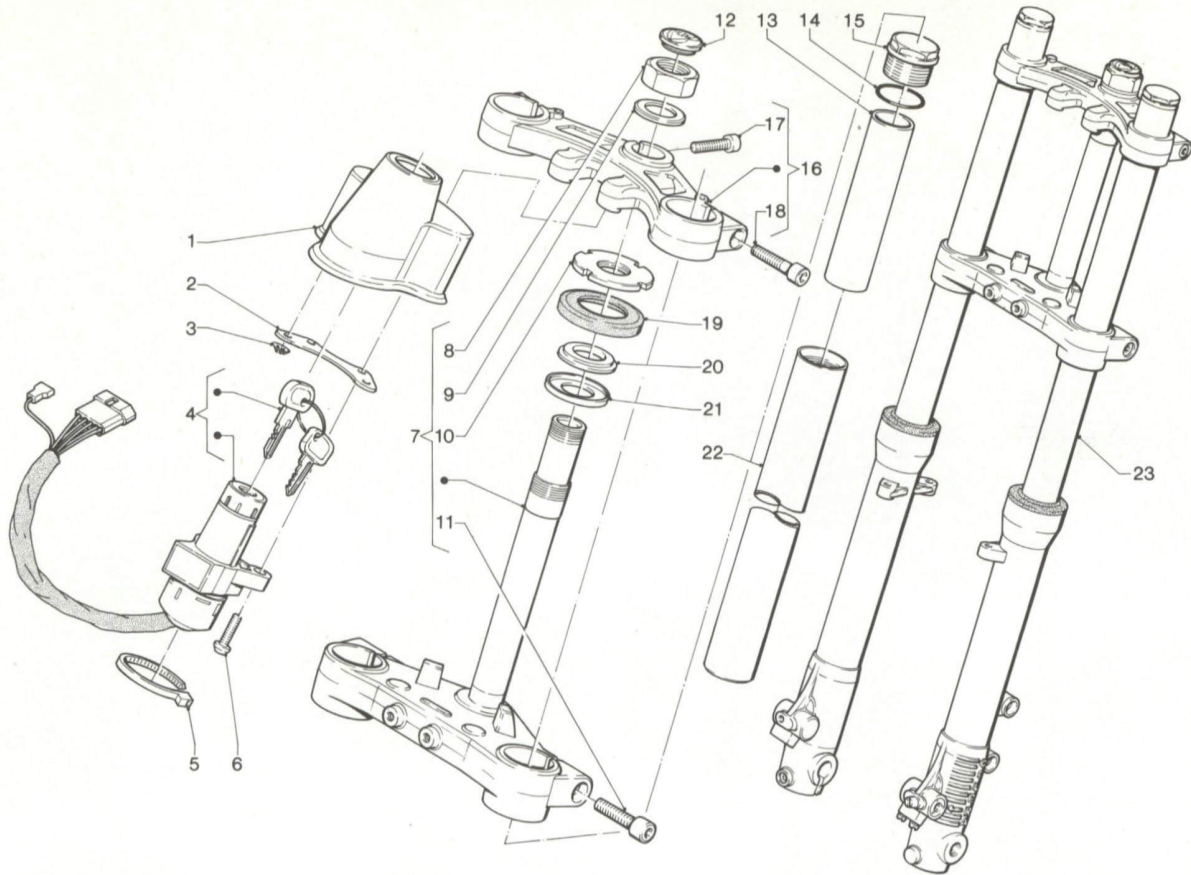
Pos. N.	N. Codice Nr. Code Code No. Code Nr. N. Código	Q.tà Q.té Q.ty M.ge Cant.	Denominazione	Désignation	Description	Beschreibung	Descripción
1	324075	1	Vite	Vis	Screw	Schraube	Tornillo
2	S.8516	1	Vite autofilettante	Vis auto-taraud.	Self-thread. screw	Blechschaube	Tornillo autorrosc.
3	S.3055	1	Rondella	Rondelle	Washer	U.Scheibe	Arandela
4	327190	1	Pattino catena	Guide de chaîne	Chain slide	Kettenführung	Patín cadena
5	316383	1	Madrevite	Ecrou	Nut screw	Mutter	Dado
6	S.6728	2	Anello di tenuta OR	Bague d'étanchéité	Seal ring	Dichtring	Aro de sujeción
7	G.400653	2	Anello distanziale	Entretoise	Spacer	Distanzstück	Separador
8	324076	1	Forcellone compl.	Fourche AR compl.	Rear fork, assy.	H. Schwinge, kpl.	Horquilla compl.
9	314114	2	Boccola	Bague	Bush	Büchse	Casquillo
10	319178	1	Rondella	Rondelle	Washer	U.Scheibe	Arandela
11	319179	1	Ingrassatore	Graisseur	Greaser	Schmiernippel	Engrasador
12	324074	1	Distanziale	Entretoise	Spacer	Distanzstück	Separador
13	319190	1	Dado	Ecrou	Nut	Mutter	Dado
14	327401	2	Decalcomania	Décalcomanie	Sticker	Abziehbild	Decalcomanía
15	316371	4	Tassello	Bloc réglage	Block	Block. Stück	Muesca
16	322518	2	Vite	Vis	Screw	Schraube	Tornillo
17	316370	2	Coperchietto	Couvercle	Cover	Deckel	Tapita
18	S.20108	4	Dado	Ecrou	Nut	Mutter	Dado

02

**FORCELLA TELESCOPICA (tipo Nuova Forcelle Italia)**  
**FOURCHE TELESCOPIQUE (type Nuova Forcelle Italia)**  
**TELESCOPIC FORK (Nuova Forcelle Italia type)**  
**TELEGABEL (Nuova Forcelle Italia Typ)**  
**HORQUILLA TELESCOPICA (tipo Nuova Forcelle Italia)**

**GILERA**

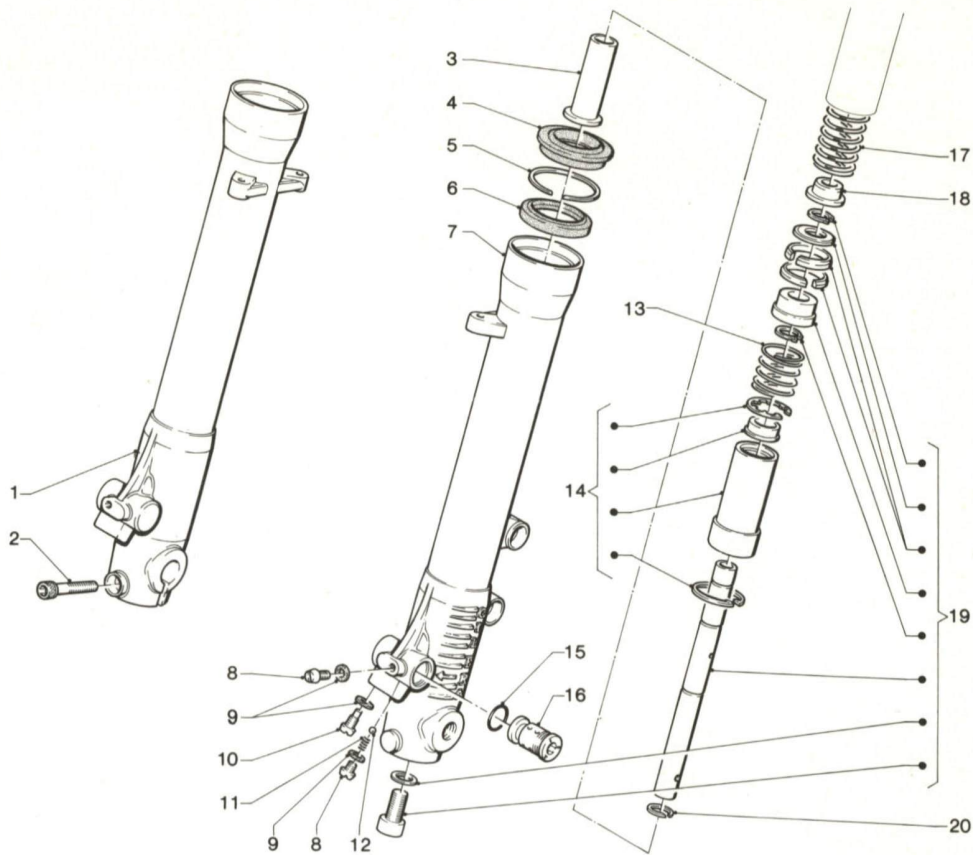
18.00



Pos. N.	N. Codice Nr. Code Code No. Code Nr. N. Código	Q.tà Q.té Q.ty M.ge Cant.	Denominazione	Désignation	Description	Beschreibung	Descripción
1	324114	2	Plancia	Tableau de bord	Dashboard	Instrumentenbrett	Plancha
2	324113	1	Piastra	Plaque	Plate	Platte	Placa
3	322506	2	Rondella dentellata	Rondelle dentée	Shakery washer	Scheibe	Arandela dent.
4	323075	1	Interrutt. bloccast. con chiave accens.	Blocage de dir. avec clé d'allum.	Steering lock with ignition key	Diebstahlsicherung mit Zündungschl.	Interr. bloque dir. con llave encend.
5	307962	1	Fascetta nylon	Collier	Clamp	Schelle	Ribete
6	319234	2	Vite a strappo	Vis	Screw	Schraube	Tornillo
7	327362	1	Piastra inf. con perno compl.	Plaque infér. avec pivot compl.	Lower plate with pin, assy.	Unt. Platte mit Zapfen, kpl.	Placa inf. con perno comp.
8	327339	1	Dado	Ecrou	Nut	Mutter	Dado
9	327336	1	Rondella	Rondelle	Washer	U.Scheibe	Arandela
10	326078	1	Ghiera	Douille	Ring nut	Gewinding	Virola
11	322102	2	Vite	Vis	Screw	Schraube	Tornillo
12	G.68715	1	Portadisco comp.	Porte-disque com.	Disc-holder assy.	Sch.halter, kpl.	Portadisco compl.
13	327335	2	Distanziale	Entretoise	Spacer	Distanzstück	Separador
14	S.6733	2	Anello di tenuta OR	Bague d'étanchéité	Seal ring	Dichtring	Aro de retención
15	327325	2	Tappo	Bouchon	Plug	Pfropfen	Tapón
16	327361	1	Piastra sup. compl.	Plaque sup. compl.	Upper plate, assy.	Ob. Platte, kpl.	Placa sup. compl.
17	319090	1	Vite	Vis	Screw	Schraube	Tornillo
18	G.68869	2	Vite	Vis	Screw	Schraube	Tornillo
19	323820	1	Cuffia protezione	Protection	Protection	Schutz	Bonete protección
20	323819	1	Distanziale	Entretoise	Spacer	Distanzstück	Separador
21	321629	1	Rondella	Rondelle	Washer	U.Scheibe	Arandela
22	327333	2	Asta di forza	Tube int. fourche	Inner tube	Inn. Rohr	Vara de retén
23	324051	1	Forcella compl.	Fourche compl.	Fork, assy.	Telegabel, kpl.	Horquilla compl.

**GILERA**

**FORCELLA TELESCOPICA (tipo Nuova Forcelle Italia)**  
**FOURCHE TELESCOPIQUE (type Nuova Forcelle Italia)**  
**TELESCOPIC FORK (Nuova Forcelle Italia type)**  
**TELEGABEL (Nuova Forcelle Italia Typ)**  
**HORQUILLA TELESCOPICA (tipo Nuova Forcelle Italia)**

**02****19.00**

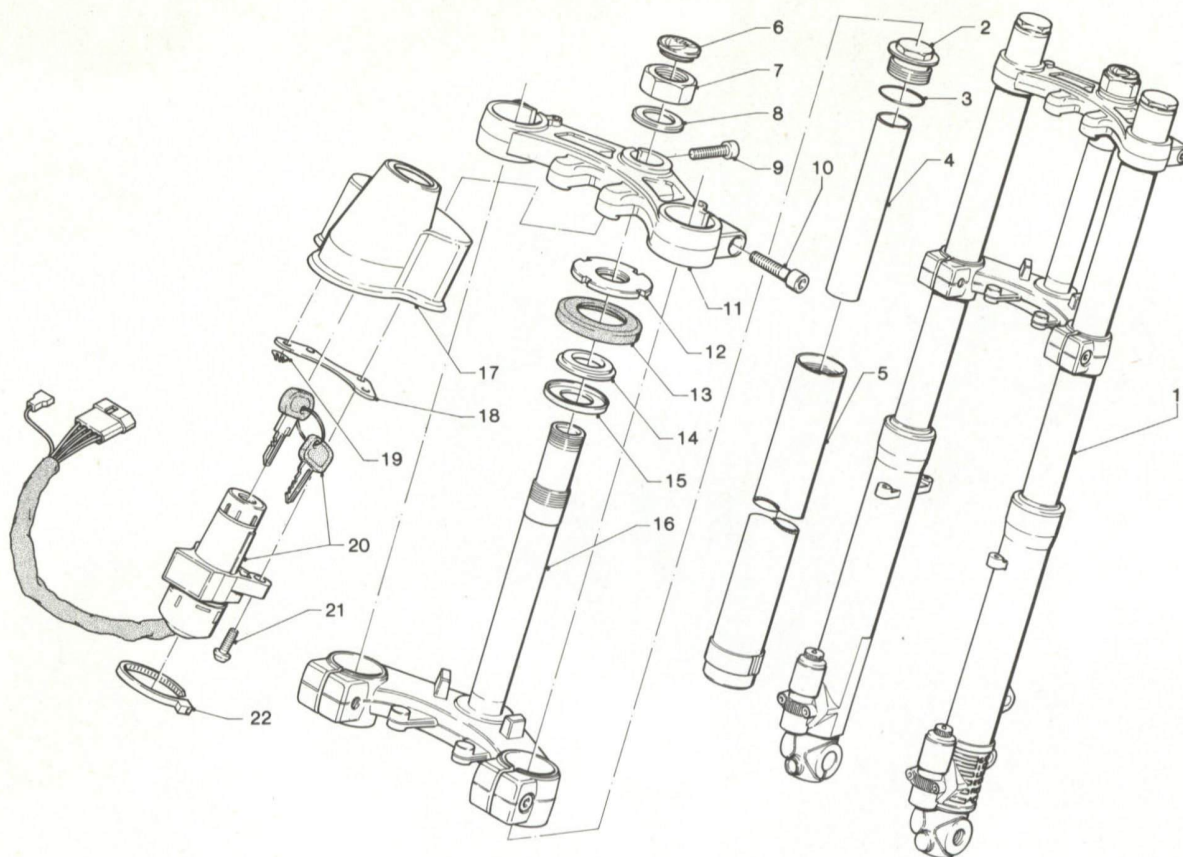
Pos. N.	N. Codice Nr. Code Code No. Code Nr. N. Código	Q.tà Q.té Q.ty M.ge Cant.	Denominazione	Désignation	Description	Beschreibung	Descripción
1	327308	1	Scorrevole dx	Fourreau droit	Slider, R.H.	G.rohrgehäuse, r.	Corr. der.
2	G.68868	1	Vite perno ruota	Vis	Screw	Schraube	Tornillo
3	327329	2	Bussola anti-dive	Bague	Bush	Buchse	Casquillo
4	327327	2	Raschiapolvere	Racle poussière	Dust scraper	Muffe	Sacapolvo
5	327373	2	Seeger	Circlips	Circlip	Sprengring	Seeger
6	327375	2	Anello di tenuta OR	Bague d'étanchéité	Seal ring	Dichtring	Aro de retención
7	327307	1	Scorrevole sx	Fourreau gauche	Slider, L.H.	G.rohrgehäuse, l.	Corr. izq.
8	319034	4	Vite	Vis	Screw	Schraube	Tornillo
9	327376	6	Guarnizione	Joint	Packing	Dichtung	Guarnición
10	327340	2	Vite fermo baril.	Vis	Screw	Schraube	Tornillo
11	327356	2	Molla	Ressort	Spring	Feder	Resorte
12	21317	2	Sfera	Bille	Ball	Kugel	Esfera
13	327357	2	Molla	Ressort	Spring	Feder	Resorte
14	327363	2	Gruppo valvola	Groupe soupape	Valve unit	Ventilgruppe	Grupo válvula
15	119075	2	Guarnizione OR	Joint	Packing	Dichtung	Guarnición
16	327326	2	Bariletto anti-dive	Pivot	Pin	Zapfen	Cilindrete
17	327355	2	Molla	Ressort	Spring	Feder	Resorte
18	327328	2	Ghiera	Douille	Ring nut	Nutmutter	Virola
19	327364	2	Gruppo idraulico	Groupe hydraul.	Hydraulic unit	Kolbengruppe	Grupo hidráulico
20	327374	2	Seeger	Circlips	Circlip	Sprengring	Seeger

02

FORCELLA TELESCOPICA (tipo Paioli)  
 FOURCHE TELESCOPIQUE (type Paioli)  
 TELESCOPIC FORK (Paioli type)  
 TELEGABEL (Paioli Typ)  
 HORQUILLA TELESCOPICA (tipo Paioli)

GILERA

20.00



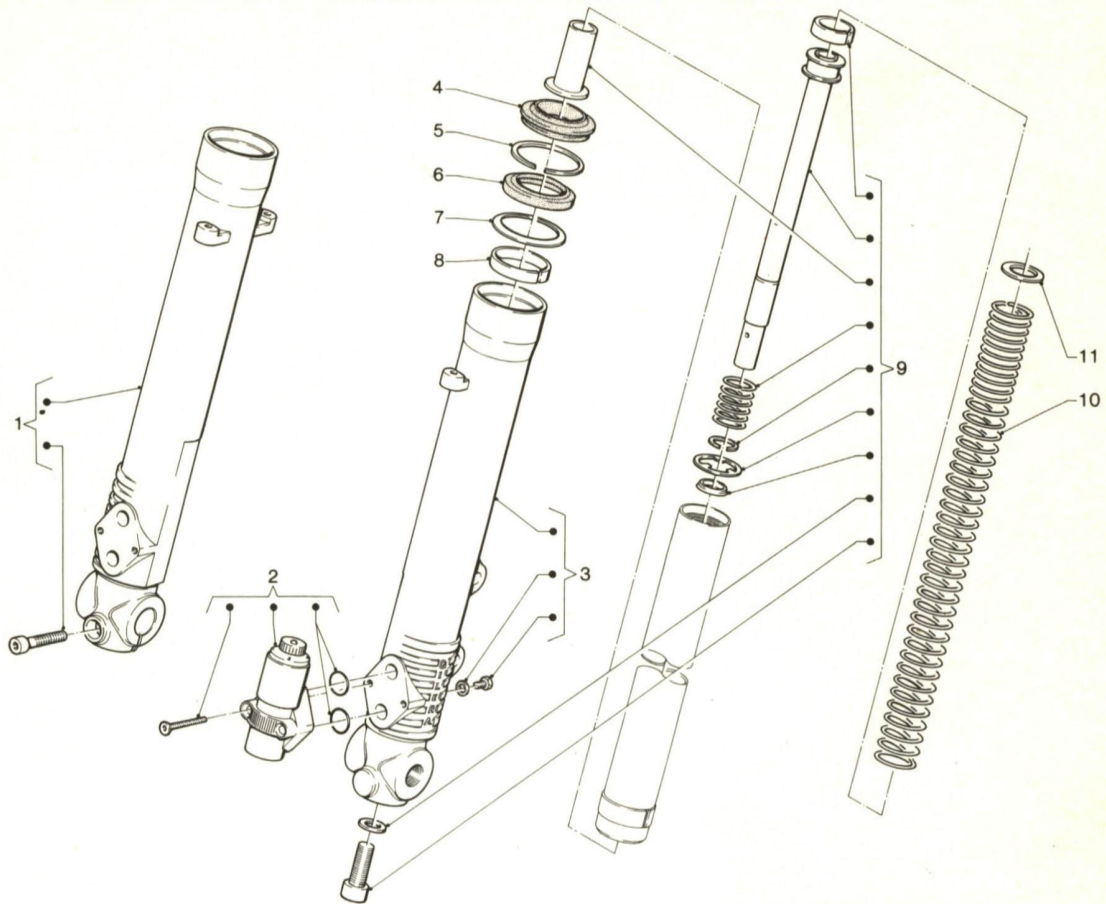
Pos. N.	N. Codice Nr. Code Code No. Code Nr. N. Código	Q.tà Q.té Q.ty M.ge Cant.	Denominazione	Désignation	Description	Beschreibung	Descripción
1	327508	1	Forcella compl.	Fourche compl.	Fork, assy.	Telegabel, kpl.	Horquilla compl.
2	327599	2	Tappo	Bouchon	Plug	Pfropfen	Tapón
3	327598	2	Guarnizione OR	Joint	Packing	Dichtung	Guarnición
4	327597	2	Distanziale	Entretoise	Spacer	Distanzstück	Separador
5	327609	2	Asta di forza	Tube int. fourche	Inner tube	Inn. Rohr	Vara de retén
6	G.68715	1	Portadisco comp.	Porte-disque com.	Disc-holder assy.	Sch.halter, kpl.	Portadisco compl.
7	327605	1	Dado	Ecrou	Nut	Mutter	Dado
8	323714	1	Rondella	Rondelle	Washer	U.Scheibe	Arandela
9	319038	1	Vite	Vis	Screw	Schraube	Tornillo
10	319090	2	Vite	Vis	Screw	Schraube	Tornillo
11	327608	1	Piastra sup. compl.	Plaque sup. compl.	Upper plate, assy.	Ob. Platte, kpl.	Placa sup. compl.
12	327603	1	Ghiera	Douille	Ring nut	Gewinding	Virola
13	323820	1	Cuffia protezione	Protection	Protection	Schutz	Bonete protección
14	323819	1	Distanziale	Entretoise	Spacer	Distanzstück	Separador
15	321629	1	Rondella	Rondelle	Washer	U.Scheibe	Arandela
16	327611	1	Piastra inf. con perno compl.	Plaque infér. avec pivot compl.	Lower plate with pin, assy.	Unt. Platte mit Zapfen, kpl.	Placa inf. con perno comp.
17	324114	1	Plancia	Tableau de bord	Dashboard	Instrumentenbrett	Plancha
18	324113	1	Piastra	Plaque	Plate	Platte	Placa
19	322506	2	Rondella dentellata	Rondelle dentée	Shakery washer	Scheibe	Arandela dent.
20	323075	1	Interrutt. bloccast. con chiave accens.	Blocage de dir. avec clé d'allum.	Steering lock with ignition key	Diebstahlsicherung mit Zündungschl.	Interr. bloque dir. con llave encend.
21	319234	2	Vite a strappo	Vis	Screw	Schraube	Tornillo
22	307962	1	Fascetta nylon	Collier	Clamp	Schelle	Ribete



FORCELLA TELESCOPICA (tipo Paioli)  
 FOURCHE TELESCOPIQUE (type Paioli)  
 TELESCOPIC FORK (Paioli)  
 TELEGABEL (Paioli Typ)  
 HORQUILLA TELESCOPICA (tipo Paioli)

02

21.01

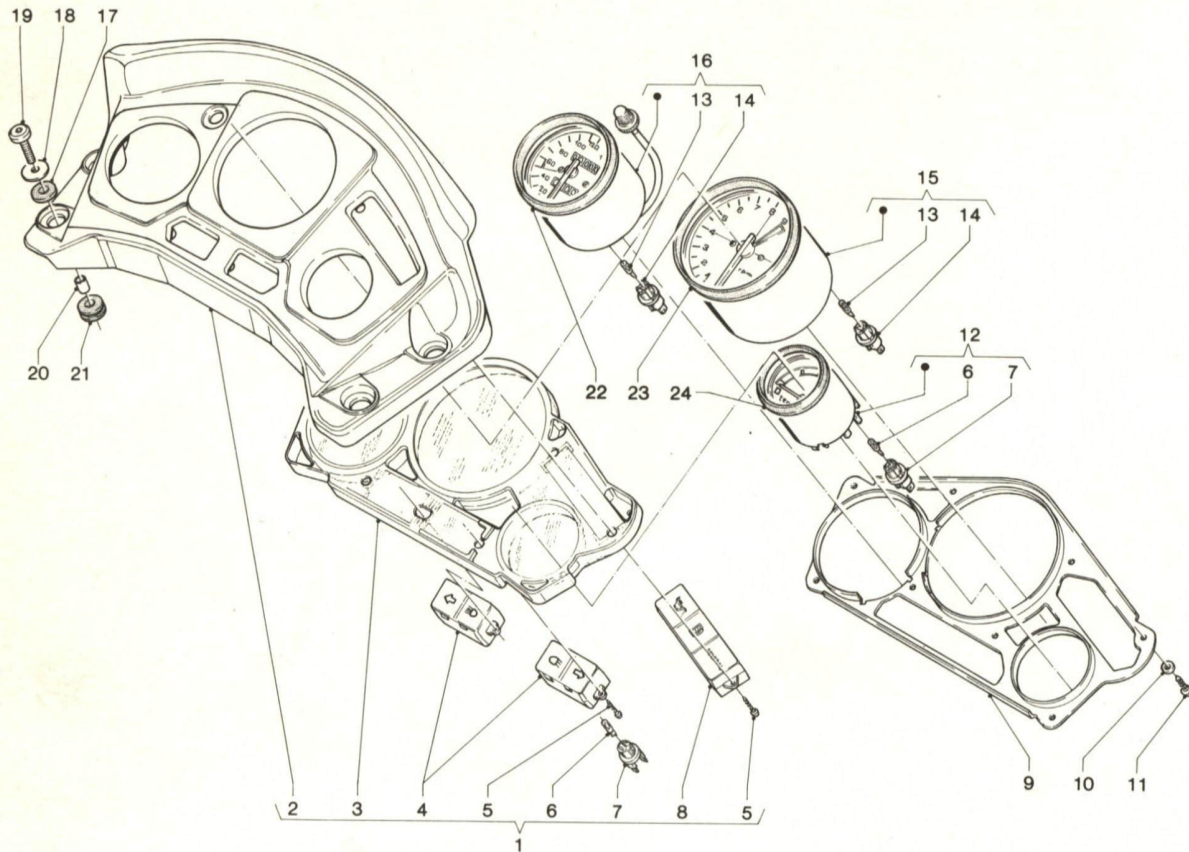


Pos. N.	N. Codice Nr. Code Code No. Code Nr. N. Código	Q.tà Q.té Q.ty M.ge Cant.	Denominazione	Désignation	Description	Beschreibung	Descripción
1	327601	1	Gruppo gamba dx	Fourreau droit	Slider, R.H.	G.rohrgehäuse, r.	Grupo pata der.
2	327574	2	Gruppo antiaffond.	Système anti-dive	Anti-dive system	Anti-dive Systeme	Sistema anti-dive
3	327600	1	Gruppo gamba sx	Fourreau gauche	Slider, L.H.	G.rohrgehäuse, l.	Grupo pata izq.
4	327587	2	Parapolvere	Racle poussière	Dust scraper	Muffe	Guardapolvere
5	323786	2	Anello di fermo	Circlips	Circlip	Sprengring	Aro de sujeción
6	327586	2	Paraolio	Bague d'étanchéité	Seal ring	Dichtring	Paraaceite
7	327584	2	Rondella	Rondelle	Washer	U.Scheibe	Arandela
8	327583	2	Boccola scorrim.	Bague	Bush	Büchse	Casquillo
9	327610	2	Gruppo pompante	Pompe complète	Pump, assy	Pumpe, kpl.	Grupo bombeo
10	327595	2	Molla	Ressort	Spring	Feder	Resorte
11	327596	2	Rondella	Rondelle	Washer	U.Scheibe	Arandela

02

22.01

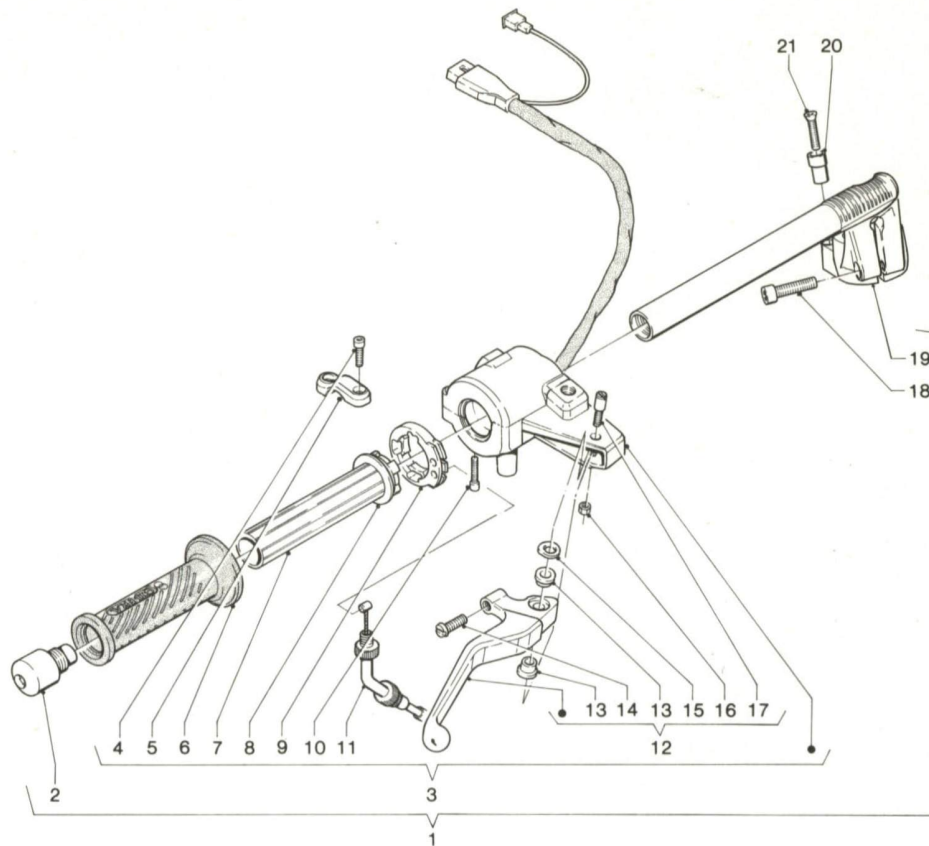
CRUSCOTTO PORTAISTRUMENTI  
TABLEAU DE BORD  
INSTRUMENTS HOLDER  
INSTRUMENTENBRETT  
CUADRO PORTAINSTRUMENTOS



Pos. N.	N. Codice Nr. Code Code No. Code Nr. N. Código	Q.tà Q.té Q.ty M.ge Cant.	Denominazione	Désignation	Description	Beschreibung	Descripción
1	324293	1	Portastrumenti compl.	Tableau de bord compl.	Instruments holder, assy.	Instrumentenbrett, kpl.	Cuadro portainstr. compl.
2	324271	1	Scatola portastrum.	Boîte porte-instr.	Inst. holder housing	Instrum.fassung	Caja portainstrum.
3	324267	1	Trasparente	Transparent	Glass	Glas	Transparente
4	322262	2	Modulo portaspie	Porte-témoins	W.light holder	Kont.leuchteträger	Portatestigos
5	S.15727	6	Vite fiss.	Vis	Screw	Schraube	Tornillo
6	164634	8	Lampada 12V-1,2W	Ampoule 12V-1,2W	Bulb 12V-1,2W	Lampe 12V-1,2W	Bombilla 12V-1,2W
7	307419	8	Portalampada	Douille d'ampoule	Lamp socket	Lampenfassung	Portalámpara
8	324269	1	Modulo portaspie	Porte-témoins	W. lights holder	Kon.leuchteträger	Portatestigos
9	324268	1	Piastra fiss. strum.	Plaque	Plate	Platte	Placa
10	S.6974	8	Rondella	Rondelle	Washer	U.Scheibe	Arandela
11	S.8451	8	Vite fiss.	Vis	Screw	Schraube	Tornillo
12	324242	1	Indic. temp. acqua	Indicat. temp. eau	Water temp. indic.	Temper. Anzeiger	Indic. temp. agua
13	155756	2	Lampada 12V-3W	Ampoule 12V-3W	Bulb 12V-3W	Lampe 12V-3W	Bombilla 12V-3W
14	312724	2	Portalampada	Douille d'ampoule	Lamp socket	Lampenfassung	Portalámpara
15	324241	1	Contagiri compl.	Compte-tours compl.	Rev. counter, assy.	Drehzahlmesser, kpl.	Cuentarrevoluc. compl.
16	324240	1	Contakm compl.	Compteur km. com.	Speedometer, assy.	Tachometer, kpl.	Cuentakm. compl.
17	327198	4		Vis	Screw	Schraube	Tornillo
18	327199	4	RONDELLA	Rondelle	Washer	U.Scheibe	Arandela
19	319366	4	VITE	Silentbloc	Buffer	Puffer	Tapón
20	327201	4	Boccola	Bague	Bush	Büchse	Casquillo
21	141590	4	Tampone	Silentbloc	Buffer	Puffer	Tapón
22	322567	1	Guarnizione	Joint	Packing	Dichtung	Guarnición
23	324276	1	Guarnizione	Joint	Packing	Dichtung	Guarnición
24	322570	1	Guarnizione	Joint	Packing	Dichtung	Guarnición

**GILERA**

**SEMIMANUBRIO DESTRO  
SEMIGUIDON DROIT  
HANDLEBAR, HALF, R.H.  
RECHTER HALBLENKER  
SEMIMANUBRIO DERECHO**

**02****23.00**

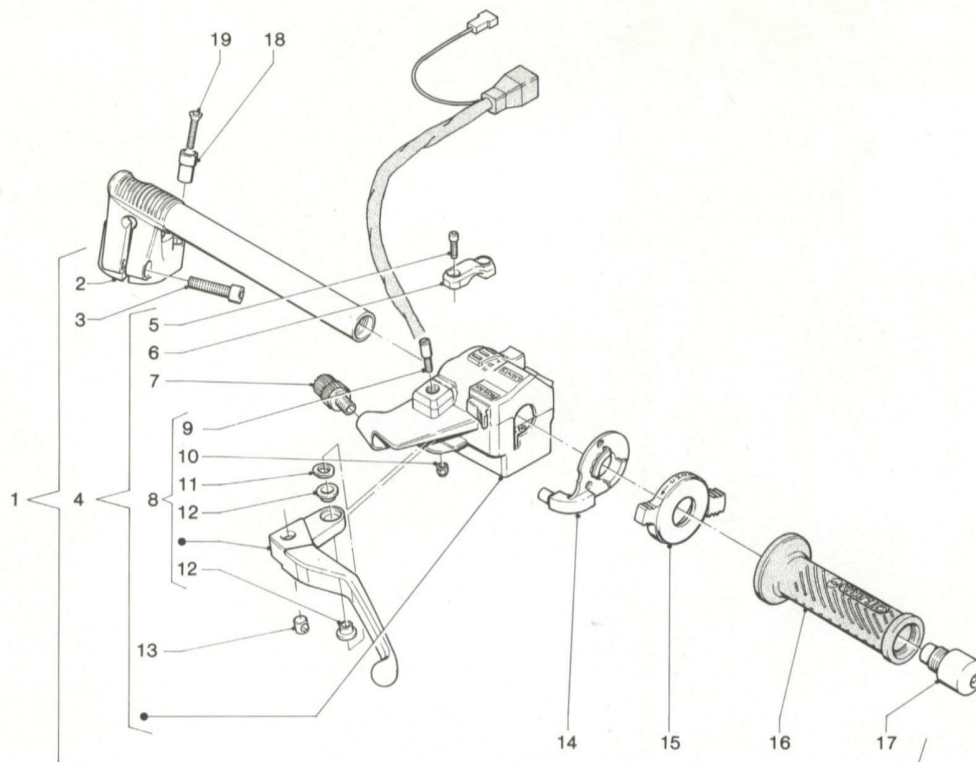
Pos. N.	N. Codice Nr. Code Code No. Code Nr. N. Código	Q.tà Q.té Q.ty M.ge Cant.	Denominazione	Désignation	Description	Beschreibung	Descripción
1	327216	1	Semimanubrio dx compl.	Semiguïdon droit compl.	Handlebar, half, R.H. assy.	Halblenker, rechts, kpl.	Semimanubrio der. compl.
2	327278	1	Contrappeso	Contrepoids	Counterweight	Gegengewicht	Contrapeso
3	324178	1	Portaleva dx	Porte-levier droit	Lever holder. R.H.	Hebelhalter, rechts	Portapalanca der.
4	319328	2	Vite	Vis	Screw	Schraube	Tornillo
5	327279	1	Cavallotto	Pontet	Bracket	Brücke	Caballote
6	326365	1	Manopola	Poignée	Grip	Handgriff	Manija
7	327281	1	Tubo comando gas	Tube comm. gaz	Tw. grip thr. sleeve	Gasdrengriff	Tubo mando gas
8	327298	1	Rondella	Rondelle	Washer	U.Scheibe	Arandela
9	327280	1	Ghiera com. gas	Douille	Ring nut	Nutmutter	Virola
10	327284	3	Vite fiss.	Vis	Screw	Schraube	Tornillo
11	327251	1	Trasmissione gas	Transmission gaz	Throttle transm.	Gaszug	Transmisión gas
12	327272	1	Leva compl.	Levier compl.	Lever assy.	Hebel, kpl.	Palanca compl.
13	327380	2	Boccola	Bague	Bush	Büchse	Casquillo
14	327267	1	Vite registro	Vis de réglage	Adjusting screw	Einstellschraube	Tornillo registro
15	327382	1	Rosetta ondulata	Rondelle	Washer	U.Scheibe	Arandela
16	S.12138	1	Dado	Ecrou	Nut	Mutter	Dado
17	327381	1	Vite	Vis	Screw	Schraube	Tornillo
18	319329	1	Vite	Vis	Screw	Schraube	Tornillo
19	324175	1	Semimanubrio dx	Semiguïdon droit	Handlebar, h. R.H.	Halblenker, rechts,	Semimanubrio der.
20	322445	1	Distanziale	Entretoise	Spacer	Distanzstück	Separador
21	319229	1	Vite	Vis	Screw	Schraube	Tornillo

02

SEMIMANUBRIO SINISTRO  
SEMIGUIDON GAUCHE  
HANDLEBAR, HALF, L.H.  
LINKER HALBLENKER  
SEMIMANUBRIO IZQUIERDO

GILERA

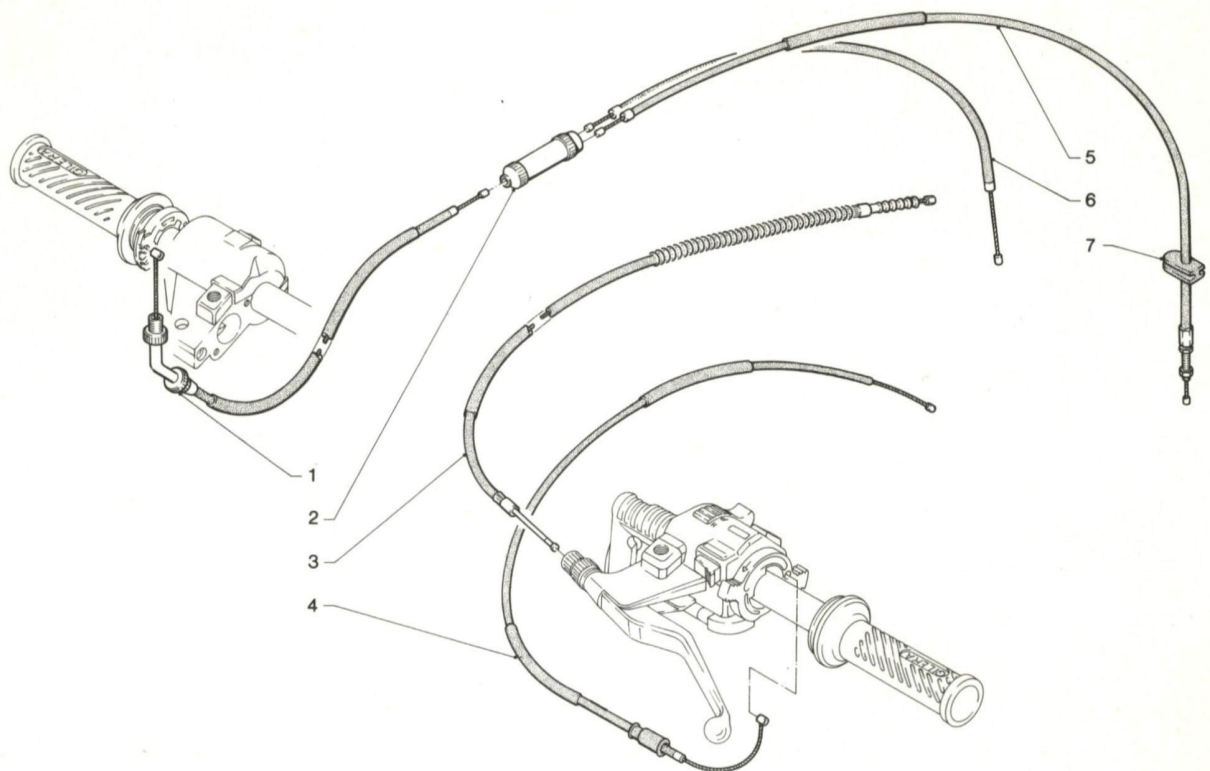
24.00



Pos. N.	N. Codice Nr. Code Code Nr. N. Código	Q.tà Q.té Q.ty M.ge Cant.	Denominazione	Désignation	Description	Beschreibung	Descripción
1	327215	1	Semimanubrio sx compl.	Semiguïdon gauche compl.	Handlebar, half, L.H. assy.	Halblenker, links, kpl.	Semimanubrio izq. compl.
2	324177	1	Semimanubrio sx	Semiguïdon gauche	Handlebar, h. L.H.	Halblenker, links	Semimanubrio izq.
3	319329	1	Vite	Vis	Screw	Schraube	Tornillo
4	324179	1	Portaleva sx	Porte-levier gauche	Lever holder. L.H.	Hebelhalter, links	Portapalanca izq.
5	319328	5	Vite	Vis	Screw	Schraube	Tornillo
6	327295	1	Cavallotto	Pontet	Bracket	Brücke	Caballette
7	327302	1	Registro	Réglage	Adjuster	Einstellschraube	Registro
8	327293	1	Leva compl.	Levier compl.	Lever assy.	Hebel, kpl.	Palanca compl.
9	327381	1	Vite	Vis	Screw	Schraube	Tornillo
10	S.12138	1	Dado	Ecrou	Nut	Mutter	Dado
11	327382	1	Rosetta ondulata	Rondelle	Washer	U.Scheibe	Arandela
12	327380	2	Boccola	Bague	Bush	Büchse	Casquillo
13	327299	1	Blocchetto	Pivot	Pin	Zapfen	Bloque
14	327296	1	Starter parte fissa	Comm. starter (fixe)	Starter control (fixed)	Startervorrichtung (fest)	Starter parte fija
15	327297	1	Starter parte mobile	Comm. starter (mob.)	Starter control (mob.)	Startervorrichtung (lose)	Starter parte móvil
16	326366	1	Manopola	Poignée	Grip	Handgriff	Manija
17	327278	1	Contrappeso	Contrepoids	Counterweight	Gegengewicht	Contrapeso
18	322445	1	Distanziale	Entretoise	Spacer	Distanzstück	Separador
19	319229	1	Vite	Vis	Screw	Schraube	Tornillo

**GILERA**

**TRASMISSIONE COMANDO GAS - COMANDO FRIZIONE - STARTER**  
**TRANSMISSION COMM. GAZ - COMM. D'EMBRAYAGE - STARTER**  
**THROTTLE CON. TRANSMISSION - CLUTCH CONTROL - STARTER**  
**GASZUG - KUPPLUNGSZUG - STARTERZUG**  
**TRANSMISION MANDO GAS - MANDO EMBRAGUE - STARTER**

**02****25.00**

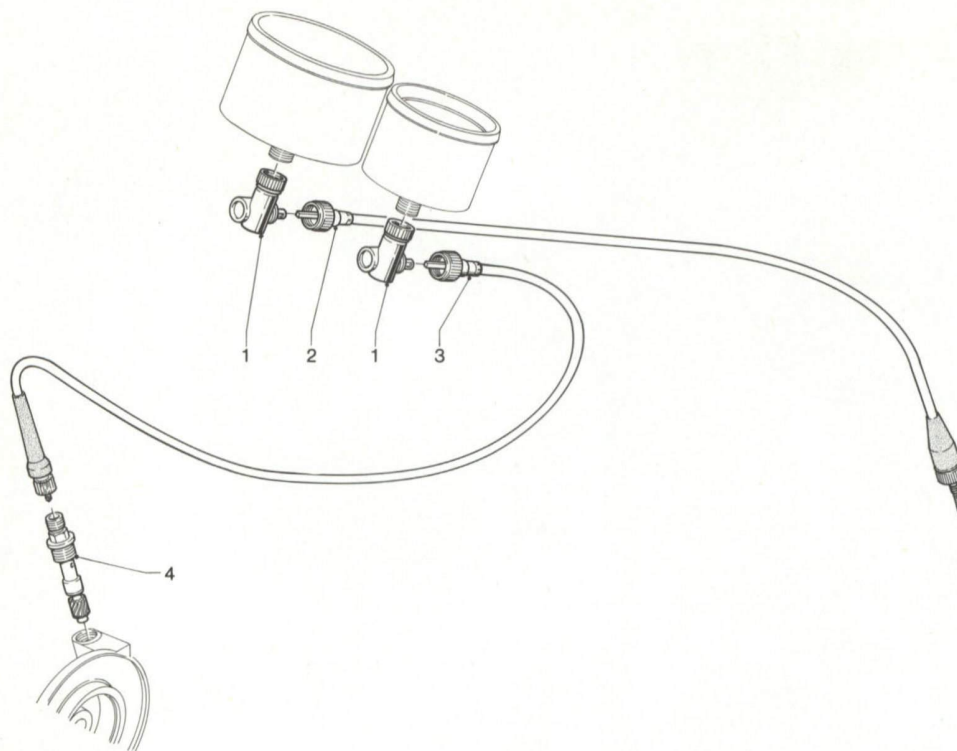
Pos. N.	N. Codice Nr. Code Code No. Code Nr. N. Código	Q.tà Q.té Q.ty M.ge Cant.	Denominazione	Désignation	Description	Beschreibung	Descripción
1	327251	1	Trasmissione gas a sdoppiatore	Transmission de gaz au dédoubleur	Throttle transm. to splitter	Gaszug zur Verteiler	Transmision gas a duplicador
2	<del>329950</del> 338038	1	Sdoppiatore	Dédoubleur	Splitter	Verteiler	Duplicador
3	327248	1	Trasmissione friz.	Transm. embray.	Clutch transm.	Kupplungszug	Transm. embrague
4	326362	1	Trasmiss. starter	Transmiss. starter	Starter transm.	Starterzug	Transm. starter
5	322320	1	Trasm. da sdopp. a miscelatore	Transm. de déd. au mélangeur	Transm. from splitter to mixer	Zug zur Verteiler bis Vermischer	Transm. de dupl. a mezclador
6	327249	1	Trasm. da sdopp. a carburatore	Transm. de déd. au carburateur	Transm. from splitter to carbur.	Zug zur Verteiler bis Vergaser	Transm. de dupl. a carburador
7	316255	1	Passacavo	Passe-câble	Grommet	Kabeldurchgang	Pasacable

02

TRASMISSIONI CONTAGIRI - CONTAKM  
 TRANSMISSIONS COMPTE-TOURS - COMPTEUR KILOMETRIQUE  
 SPEEDOMETER - REV. COUNTER TRANSMISSIONS  
 TACHOMETERWELLE - DREHZAHLMESSERWELLE  
 TRANSMISIONES CUENTARREVOLUCIONES - CUENTAKILOMETROS

GILERA

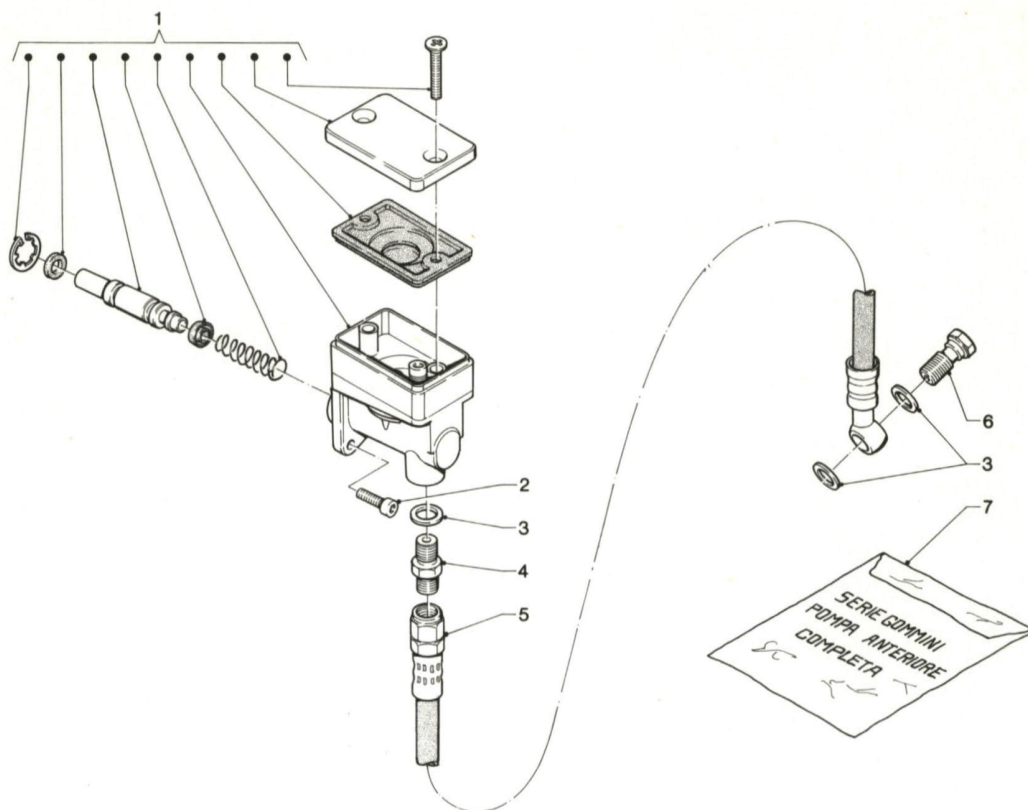
26.00



Pos. N.	N. Codice Nr. Code Code No. Code Nr. N. Código	Q.tà Q.té Q.ty M.ge Cant.	Denominazione	Désignation	Description	Beschreibung	Descripción
1	322550	2	Rinvio ad angolo	Renvoi	Drive pinion	Tachometerritzel	Retorno de ángulo
2	327235	1	Trasmissione contagiri compl.	Transmission compte-tours com.	Speedometer transmission, assy.	Tachometerwelle kpl.	Transmisión cuentarrev. compl.
3	327238	1	Trasmissione contakm compl.	Transmission compteur kil. com.	Rev. counter transmission, assy.	Drehzahlmesserwelle, kpl.	Transmisión cuentakm. compl.
4	322547	1	Ingranaggio	Engrenage	Gear	Zahnrad	Engranaje

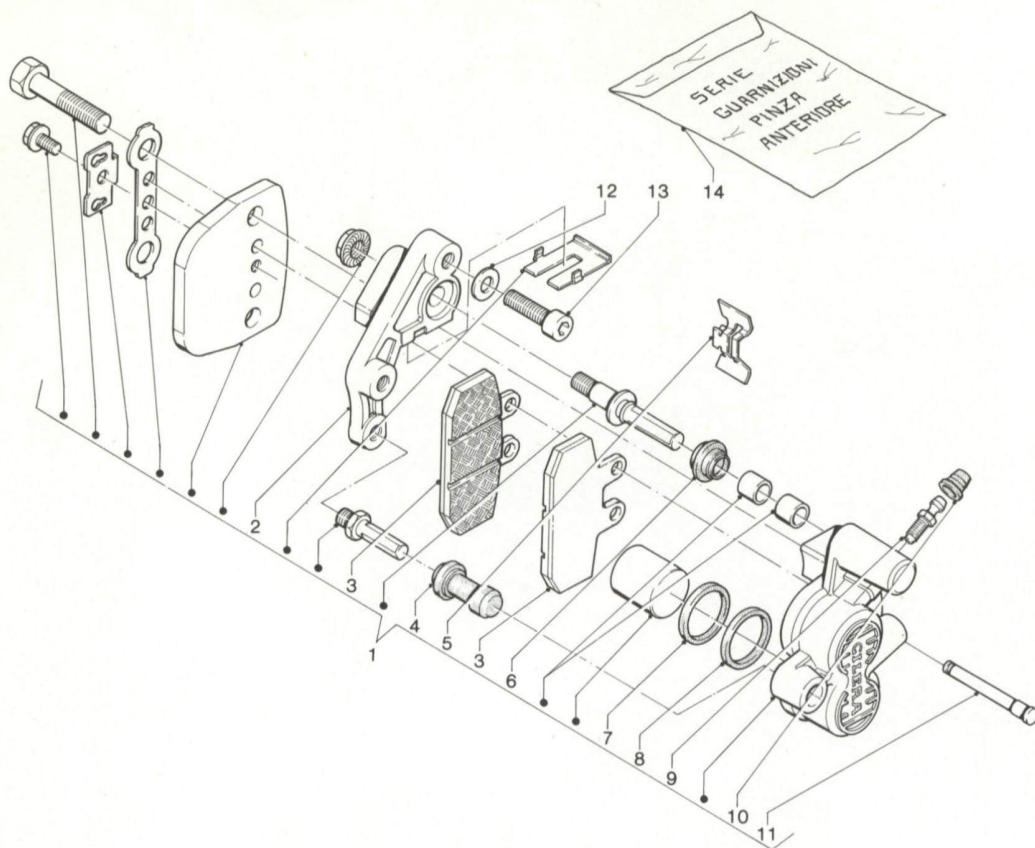
**GILERA**

**POMPA FRENO ANTERIORE**  
**MAITRE-CYLINDRE FREIN AV**  
**FRONT BRAKE MASTER CYLINDER**  
**VORDERRAD HAUPTBREMSZYLINDER**  
**BOMBA FRENO ANTERIOR**

**02****27.00**

Pos. N.	N. Codice Nr. Code Code No. N. Código	Q.tà Q.té Q.ty M.ge Cant.	Denominazione	Désignation	Description	Beschreibung	Descripción
1	327005	1	Pompa freno compl.	Maître-cylindre frein compl.	Brake master cylinder, assy.	Hauptbremszylinder, kpl.	Bomba freno compl.
2	319328	2	Vite	Vis	Screw	Schraube	Tornillo
3	16195	3	Rondella	Rondelle	Washer	U.Scheibe	Arandela
4	322679	1	Raccordo	Raccord	Union	Anschluss	Conexión
5	327246	1	Tubo olio freno	Tuyau huile, frein	Brake oil pipe	Bremsölleitung	Tubo aceite freno
6	310290	1	Vite forata	Vis	Screw	Schraube	Tornillo
7	305765	1	Serie gommini pompa ant. compl.	Collec. caoutchouc maître-cyl. AV com.	Rubber set, fr. master-cyl. assy.	Gummistück Satz, Hauptbremszyl. kpl.	Serie gomas bomba ant. compl.

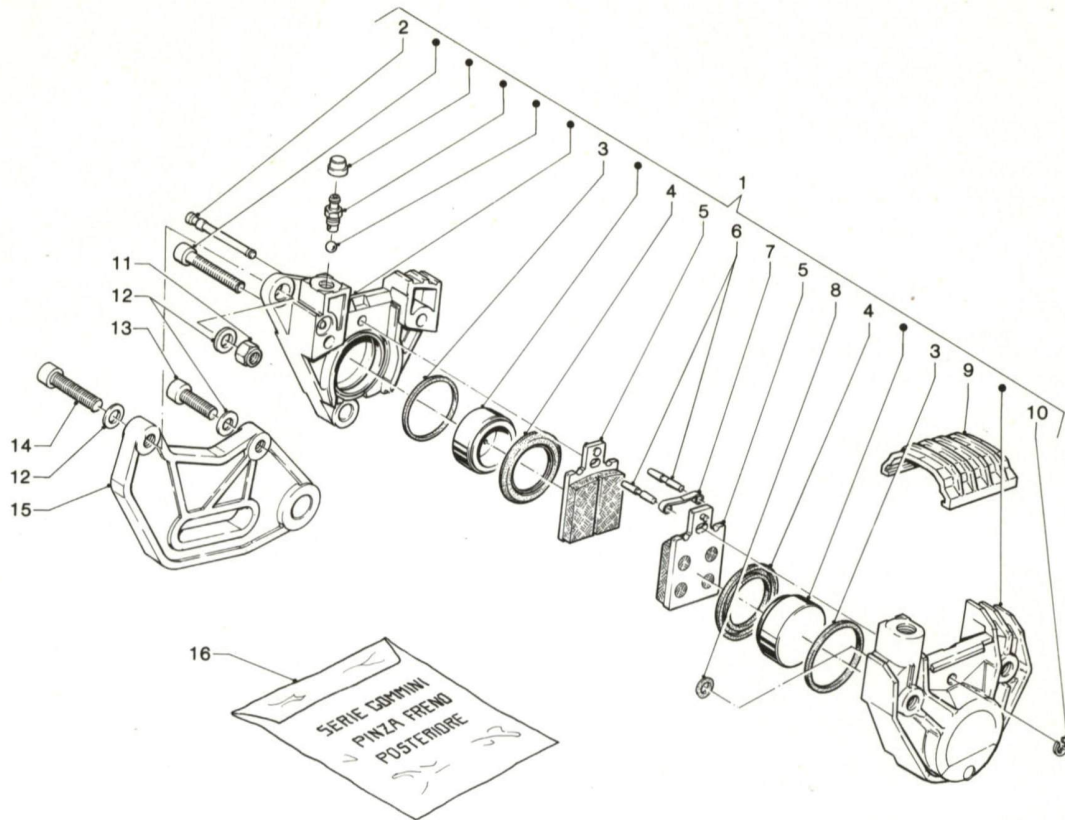
<b>02</b>	<b>PINZA FRENO ANTERIORE</b> <b>PINCE FREIN AV</b> <b>FRONT BRAKE CALIPER</b> <b>VORDERBREMSZANGE</b> <b>PINZA FRENO ANTERIOR</b>	<b>GILERA</b>
<b>28.00</b>		



Pos. N.	N. Codice Nr. Code Code No. Code Nr. N. Código	Q.tà Q.té Q.ty M.ge Cant.	Denominazione	Désignation	Description	Beschreibung	Descripción
1	324173	1	Pinza freno ant. compl.	Pince frein AV compl.	Front brake caliper, assy.	Vorderbremszange, kpl.	Pinza freno ant. compl.
2	318684	1	Piastra	Plaque	Plate	Platte	Placa
3	<del>326814</del> 344839	2	Pastiglia	Plaquette de frein	Pad	Bremsbelag	Pastilla
4	326819	1	Gommino	Caoutchouc	Rubber	Gummistück	Goma
5	326816	1	Molletta	Clip	Clip	Feder	Horquilla
6	326820	1	Gommino	Caoutchouc	Rubber	Gummistück	Goma
7	326817	2	Anello	Bague	Ring	Ring	Anillo
8	326818	2	Anello	Bague	Ring	Ring	Anillo
9	318685	1	Spurgo	Event	Breather	Entlüfter	Desahogo
10	323747	1	Tappo	Bouchon	Plug	Pfropfen	Tapón
11	326815	2	Perno	Pivot	Pin	Zapfen	Perno
12	28723	2	Rondella Paioli	Rondelle Paioli	Paioli washer	Paioli Schraube	Arandela Paioli
13	S.15792	2	Vite Nuova Italia (F7) (M8x25)	Vis Nuova Italia (F7) (M8x25)	Nuova Italia screw (F7) (M8x25)	Nuova Italia Schr. (F7) (M8x25)	Torn. Nuova Italia (F7) (M8x25)
13	319090	2	Vite Paioli (M8x30)	Vis Paioli (M8x30)	Paioli screw (M8x30)	Paioli Schraube (M8x30)	Tornillo Paioli (M8x30)
14	305762	1	Serie guarnizioni pinza ant.	Collec. joints pince AV	Packing set, front caliper	Dichtung Satz, Vorderbremszange	Serie guarniciones pinza ant.

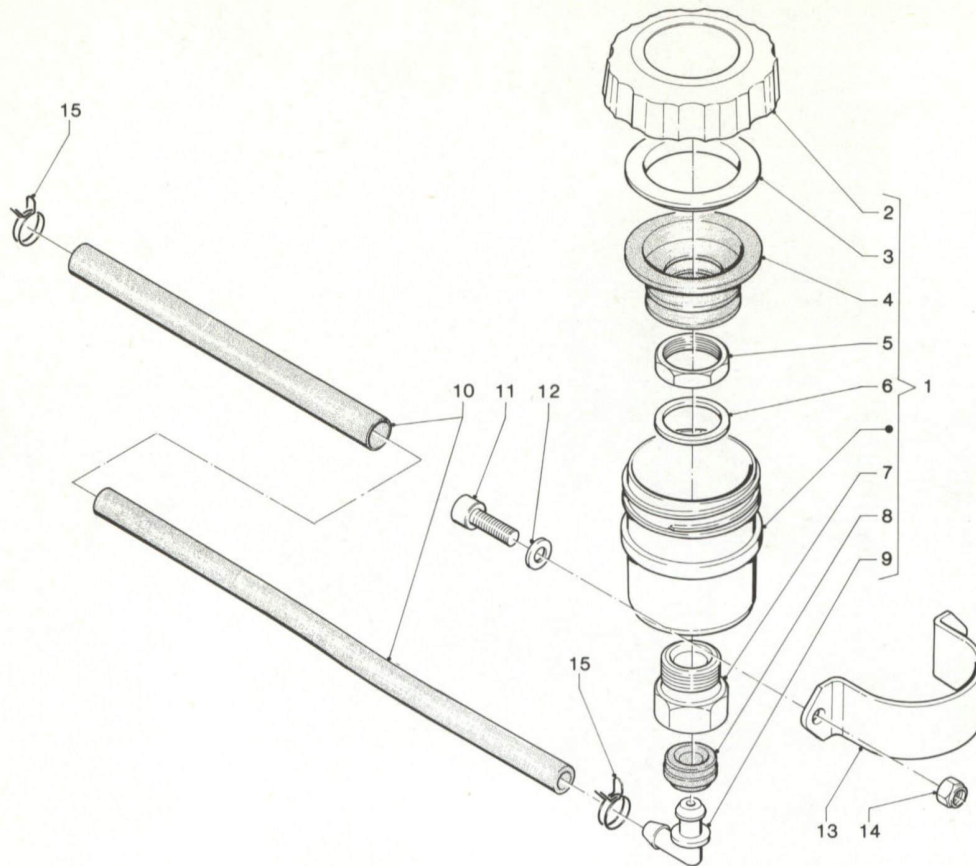
**GILERA**

**PINZA FRENO POSTERIORE CON SUPPORTO**  
**PINCE FREIN AR AVEC SUPPORT**  
**REAR BRAKE CALIPER WITH SUPPORT**  
**HINTERRADBREMSZANGE MIT HALTER**  
**PINZA FRENO POSTERIOR CON SOPORTE**

**02****29.00**

Pos. N.	N. Codice Nr. Code Code No. Code Nr. N. Código	Q.tà Q.té Q.ty M.ge Cant.	Denominazione	Désignation	Description	Beschreibung	Descripción
1	324172 <i>318640</i> <del>323738</del>	1	Pinza freno post. compl.	Pince frein AR compl.	Rear brake caliper, assy.	Hinterradbremsszange, kpl.	Pinza freno post. compl.
2	323742	2	Perno	Pivot	Pin	Zapfen	Perno
3	323742 <i>31880L</i>	2	Anello di tenuta	Bague d'étanchéité	Seal ring	Dichtring	Aro de sujeción
4	323743	2	Guarnizione	Joint	Packing	Dichtung	Guarnición
5	323626	2	Pastiglia	Patin de frein	Pad	Bremsbelag	Pastilla
6	323745	2	Spina molletta	Goupille	Pin	Spannhülse	Espiga
7	323744	1	Molletta	Clip	Clip	Feder	Horquilla
8	323740	1	Gommino OR	Caoutchouc	Rubber	Gummistück	Goma
9	323737	1	Coperchio pinza	Couvercle	Cover	Deckel	Tapa
10	323739	1	Anello elastico	Bague élastique	Spring ring	Federring	Anillo elástico
11	340258	1	Dado	Ecrou	Nut	Mutter	Dado
12	S.3058	3	Rondella	Rondelle	Washer	U.Scheibe	Arandela
13	S.15792	1	Vite	Vis	Screw	Schraube	Tornillo
14	G.68869	1	Vite	Vis	Screw	Schraube	Tornillo
15	323029	1	Supporto pinza fr.	Support	Support	Halter	Soporte
16	305763	1	Serie gommini pinza post.	Collec. caoutchouc pince AR	Rubber set, rear caliper	Gummistück Satz, Hinterzange	Serie gomas pinza post.

<b>02</b>	<b>SERBATOIO OLIO POMPA FRENO POSTERIORE</b> <b>RESERVOIR D'HUILE MAITRE-CYLINDRE FREIN AR</b> <b>OIL TANK FOR REAR BRAKE MASTER CYLINDER</b> <b>ÖLTANK FÜR HINTERRAD HAUPTBREMSZYLINDER</b> <b>TANQUE ACEITE BOMBA FRENO POSTERIOR</b>	<b>GILERA</b>
<b>30.00</b>		



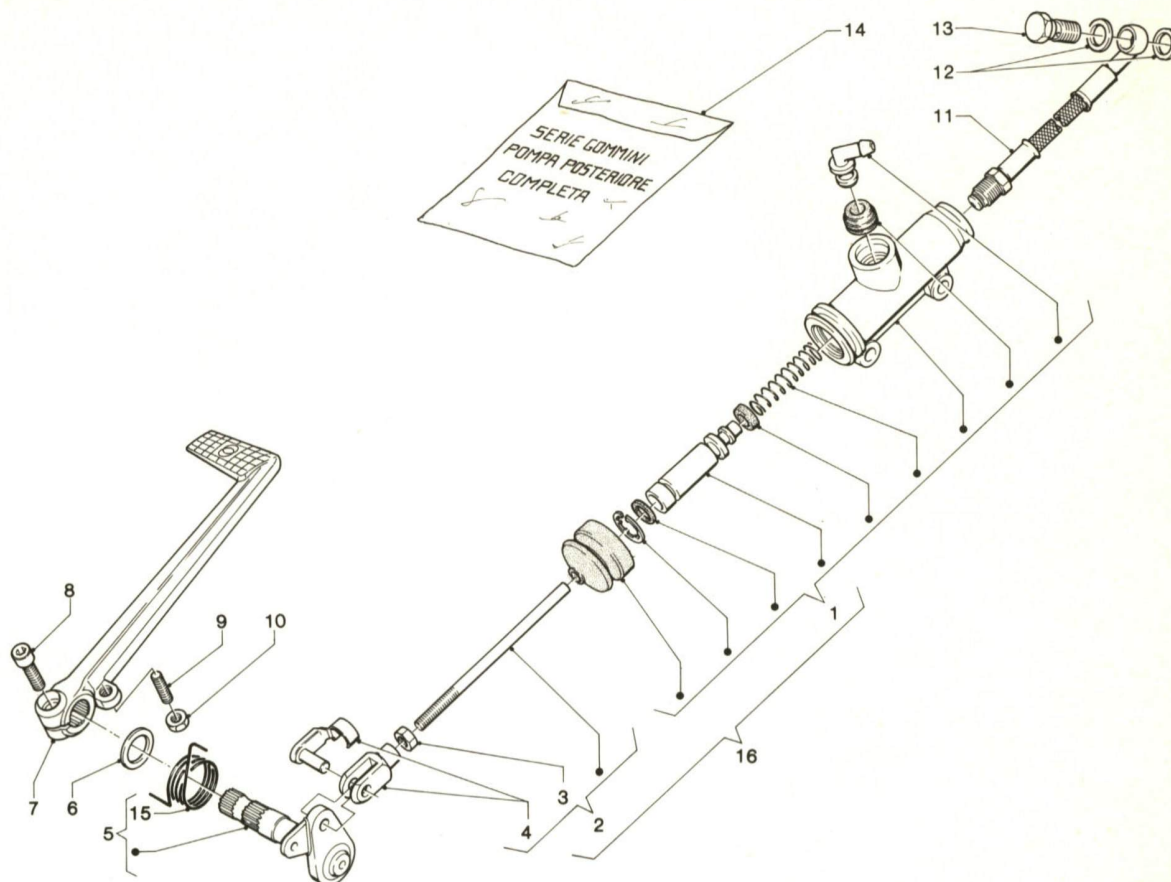
Pos. N.	N. Codice Nr. Code Code No. Code Nr. N. Código	Q.tà Q.té Q.ty M.ge Cant.	Denominazione	Désignation	Description	Beschreibung	Descripción
1	322934	1	Serbatoio olio pompa freno comp.	Réserv. d'huile m.-cyl. frein compl.	Oil tank for brake master-cyl. assy.	Öltank für Hauptbremszyl. kpl.	Tanque aceite bomba freno comp.
2	323748	1	Tappo	Bouchon	Plug	Pfropfen	Tapón
3	323749	1	Rondella	Rondelle	Washer	U.Scheibe	Arandela
4	323750	1	Guarnizione	Joint	Packing	Dichtung	Guarnición
5	323755	1	Dado	Ecrou	Nut	Mutter	Dado
6	323754	1	Guarnizione	Joint	Packing	Dichtung	Guarnición
7	323753	1	Raccordo	Raccord	Union	Einlasstützen	Conexión
8	323752	1	Gommino	Caoutchouc	Rubber	Gummistück	Goma
9	323751	1	Raccordo angolare	Raccord	Union	Einlasstützen	Conexión
10	327288	1	Tubo con protez.	Tuyau	Tube	Rohr	Tubo
11	315092	2	Vite	Vis	Screw	Schraube	Tornillo
12	S.3055	2	Rondella	Rondelle	Washer	U.Scheibe	Arandela
13	322893	1	Fascetta	Collier	Clamp	Schelle	Ribete
14	S.12112	2	Dado	Ecrou	Nut	Mutter	Dado
15	323175	2	Fascetta	Collier	Clamp	Schelle	Ribete




**POMPA FRENO POSTERIORE  
MAITRE-CYLINDRE FREIN AR  
REAR BRAKE MASTER CYLINDER  
HINTERRAD HAUPTBREMSZYLINDER  
BOMBA FRENO POSTERIOR**

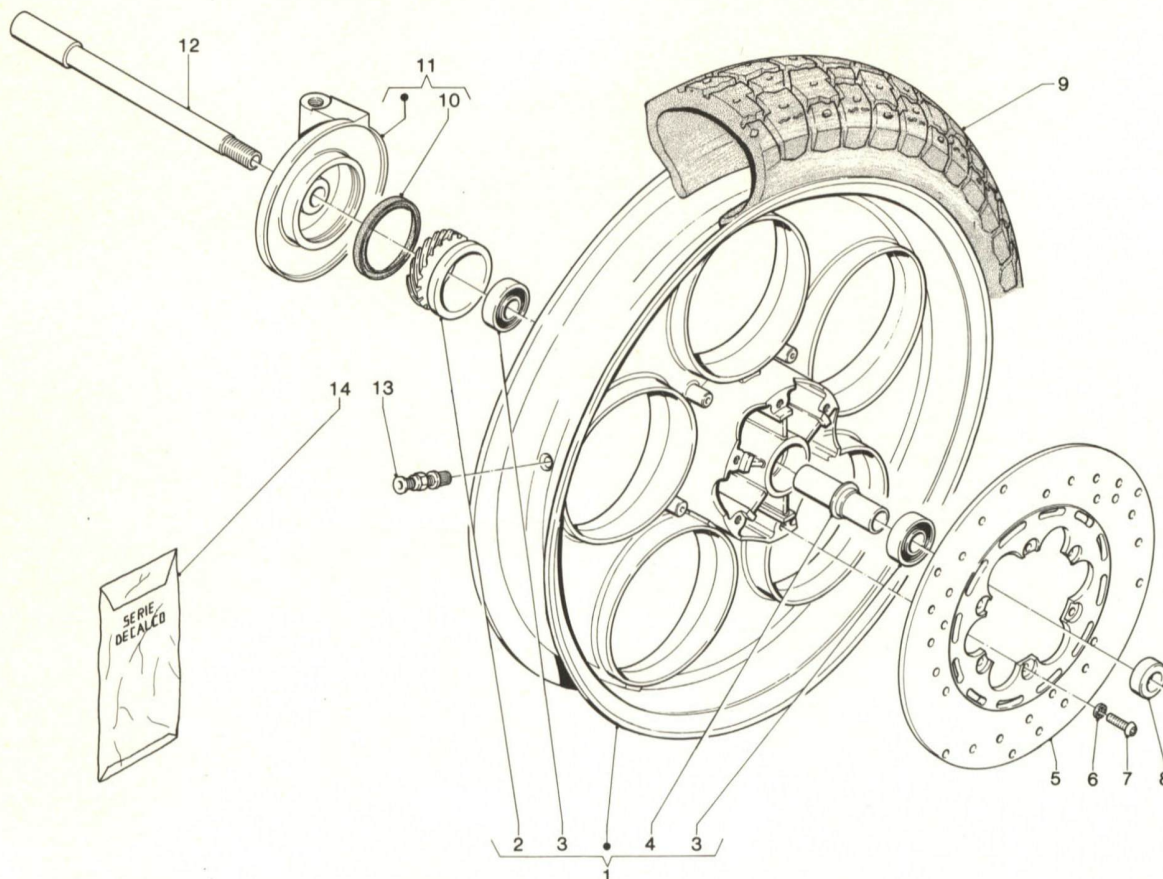
**02**

**31.01**



Pos. N.	N. Codice Nr. Code Code Nr. N. Código	Q.tà Q.té Q.ty M.ge Cant.	Denominazione	Désignation	Description	Beschreibung	Descripción
1	327242	1	Pompa freno post.	Maitre-cylindre frein AR	Rear brake master cylinder	Hinterrad Hauptbremszylinder	Bomba freno post.
2	327245	1	Puntalino compl.	Pivot compl.	Pin, assy.	Zapfen, kpl.	Empujador compl.
3	S.20106	1	Dado	Ecrou	Nut	Mutter	Dado
4	322099	1	Forcellino	Fourchette	Fork	Gabel	Horquilla
5	324110	1	Perno leva compl.	Pivot levier compl.	Lever pin, assy.	Hebelzapfen, kpl.	Perno pal. compl.
6	319296	1	Rondella	Rondelle	Washer	U.Scheibe	Arandela
7	324106	1	Pedale freno	Pédale du frein	Brake pedal	Bremsepedal	Pedal freno
8	319021	1	Vite	Vis	Screw	Schraube	Tornillo
9	319321	1	Vite	Vis	Screw	Schraube	Tornillo
10	S.20106	1	Dado	Ecrou	Nut	Mutter	Dado
11	324302	1	Tubo freno	Tuyau frein	Brake tube	Bremserohr	Tubo freno
12	16195	2	Rondella in rame	Rondelle	Washer	U.Scheibe	Arandela
13	310290	1	Vite forata	Vis	Screw	Schraube	Tornillo
14	305767	1	Serie gommini pompa post.	Collec. caoutchouc maître-cyl. AR	Rubber set, rear master cyl.	Gummistück Satz, H. H.bremszyl.	Serie gomas bomba post.
15	327565	1	Molla	Ressort	Spring	Feder	Resorte
16	324171	1	Pompa freno post. compl.	Maitre-cylindre frein AR compl.	Rear brake master cylinder, assy.	Hinterrad Hauptbremszylinder, kpl.	Bomba freno post. compl.

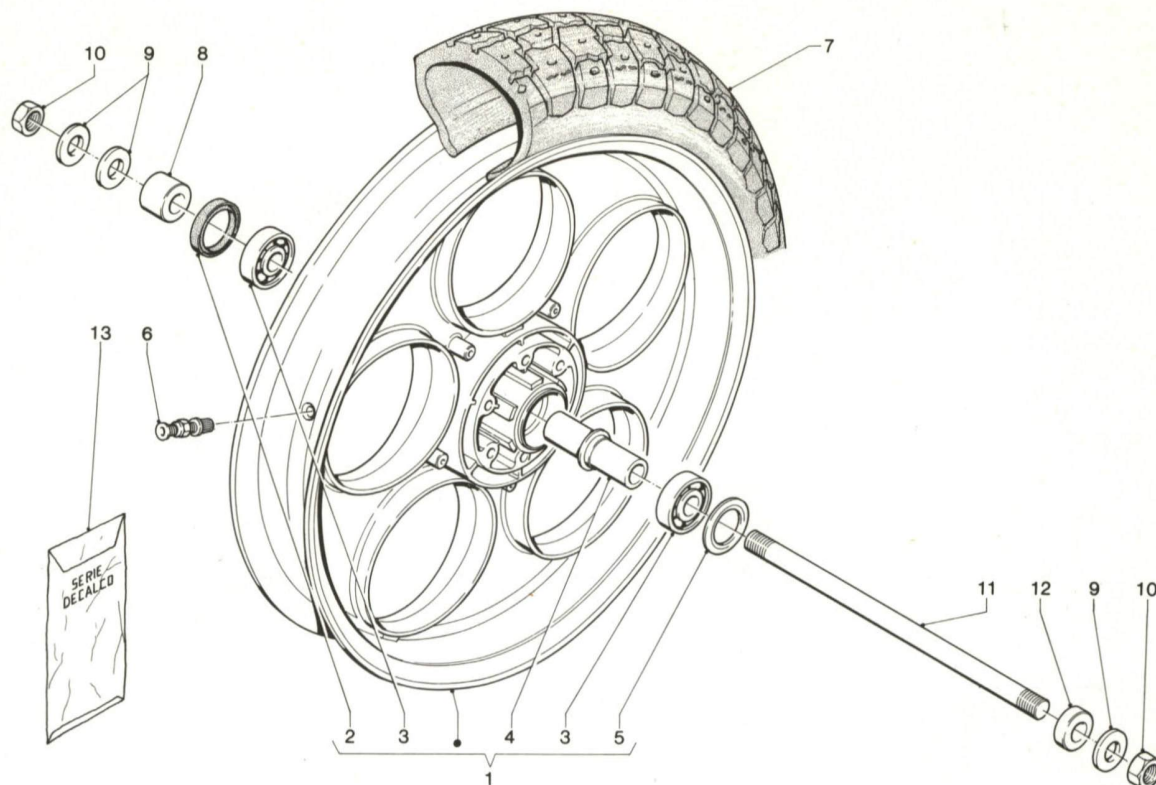
<b>02</b>	<b>RUOTA ANTERIORE ROUE AV FRONT WHEEL VORDERRAD RUEDA ANTERIOR</b>	
<b>32.01</b>		



Pos. N.	N. Codice Nr. Code Code No. Code Nr. N. Código	Q.tà Q.té Q.ty M.ge Cant.	Denominazione	Désignation	Description	Beschreibung	Descripción
1	327656	1	Ruota anter. compl. color bianco	Roue AV compl. couleur blanc	Front wheel, assy. white colour	Vorderrad, kpl. weiss-Farbe	Rueda ant. compl. color blanco
1	324320	1	Ruota anter. compl. color grigio	Roue AV compl. couleur gris	Front wheel, assy. grey colour	Vorderrad, kpl. grau-Farbe	Rueda ant. compl. color gris
2	322545	1	Ingranaggio	Engrenage	Gear	Zahnrad	Engranaje
3	327187	2	Cuscinetto	Roulement	Bearing	Lager	Cojinete
4	324308	1	Distanziale	Entretoise	Spacer	Distanzstück	Separador
5	324314	1	Disco freno Ø 240	Disque frein Ø 240	Brake plate Ø 240	Scheibe Ø 240	Disco freno Ø 240
6	324317	6	Rondella elastica	Rondelle élastique	Spring washer	Federring	Arandela elástica
7	319300	6	Vite	Vis	Screw	Schraube	Tornillo
8	324306	1	Distanziale	Entretoise	Spacer	Distanzstück	Separador
9	324222	1	Pneumatico ant.	Pneu AV	Front tyre	Vord. Reifen	Neumático ant.
10	310325	1	Guarnizione	Joint	Packing	Dichtung	Guarnición
11	324336	1	Coperchio rinvio color grigio	Couvercle couleur gris	Cover grey colour	Deckel grau-Farbe	Tapa color gris
11	327654	1	Coperchio rinvio color bianco	Couvercle couleur blanc	Cover white colour	Deckel weiss-Farbe	Tapa color blanco
12	324305	1	Perno ruota	Pivot de roue	Wheel pin	Radachse	Perno ruota
13	324225	1	Valvola	Soupape	Valve	Ventil	Válvula
14	327666	1	Serie decalco ruote ant.-post. color bianco	Coll. décalcom. roues AV-AR couleur blanc	Sticker set front-rear wheels white colour	Abziehbild Satz vord.-hinterrad weiss-Farbe	Serie decalcom. ruedas ant.-post. color blanco

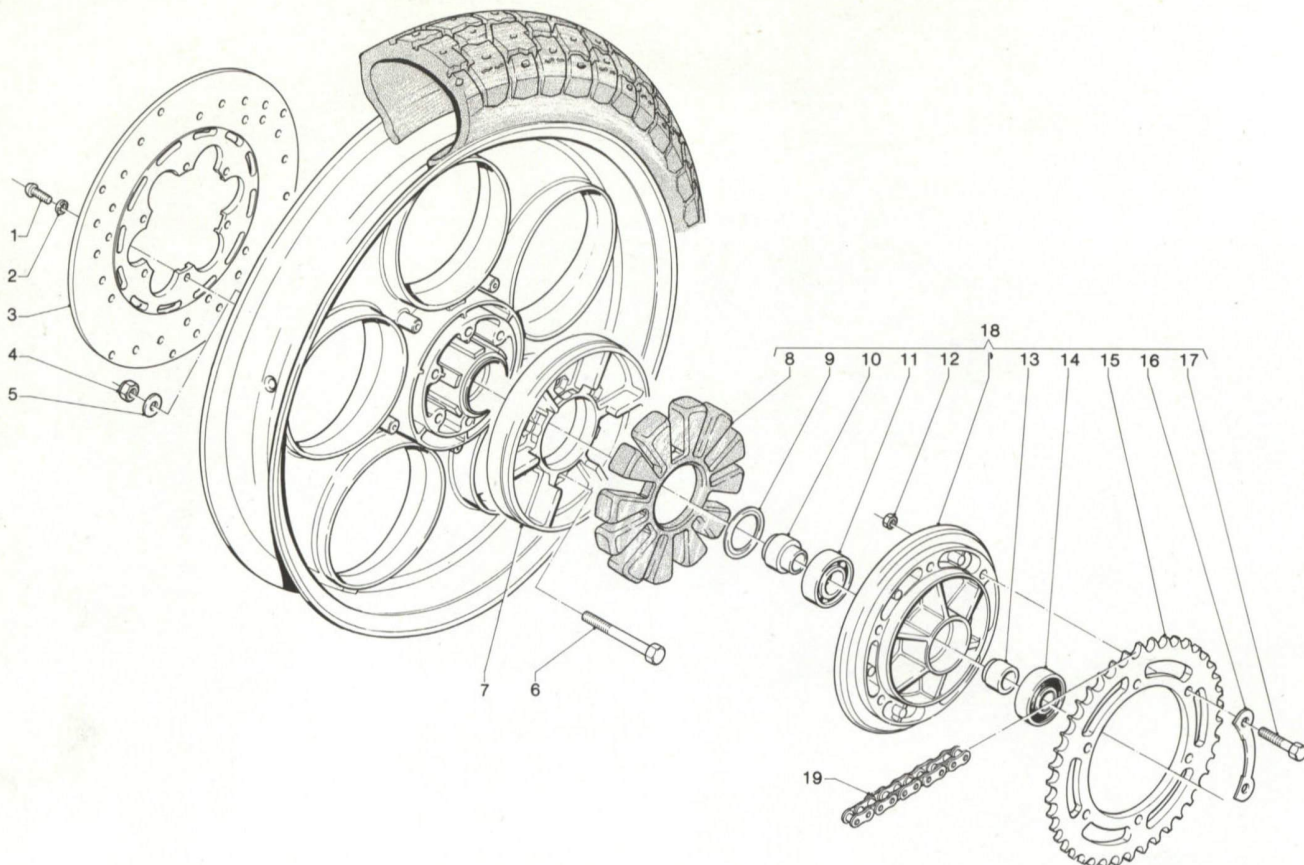
**GILERA**

**RUOTA POSTERIORE**  
**ROUE AR**  
**REAR WHEEL**  
**HINTERRAD**  
**RUEDA POSTERIOR**

**02****33.00**

Pos. N.	N. Codice Nr. Code Code No. Code Nr. N. Código	Q.tà Q.té Q.ty M.ge Cant.	Denominazione	Désignation	Description	Beschreibung	Descripción
1	324338	1	Ruota post. compl. color grigio	Roue AR compl. couleur gris	Rear wheel, assy. grey colour	Hinterrad, kpl. grau-Farbe	Rueda post. compl. color gris
1	327663	1	Ruota post. compl. color bianco	Roue AR compl. couleur blanc	Rear wheel, assy. white colour	Hinterrad, kpl. weiss-Farbe	Rueda post. compl. color blanco
2	324332	1	Anello di tenuta	Bague d'étanchéité	Seal ring	Dichtring	Aro de sujeción
3	30209	2	Cuscinetto	Roulement	Bearing	Lager	Cojinete
4	324329	1	Distanziale	Entretoise	Spacer	Distanzstück	Separador
5	310469	1	Rondella	Rondelle	Washer	U.Scheibe	Arandela
6	324225	1	Valvola	Soupape	Valve	Ventil	Válvula
7	324223	1	Pneumatico post.	Pneu AR	Rear tyre	Hint. Reifen	Neumático post.
8	324333	1	Distanziale	Entretoise	Spacer	Distanzstück	Separador
9	G.402074	3	Rondella	Rondelle	Washer	U.Scheibe	Arandela
10	G.48522	2	Dado	Ecrou	Nut	Mutter	Dado
11	322291	1	Perno ruota	Pivot de roue	Wheel pin	Radachse	Perno ruoda
12	324334	1	Distanziale	Entretoise	Spacer	Distanzstück	Separador
13	327666 327666	1	Serie decalco ruote ant.-post. color bianco	Coll. décalcom. roues AV-AR couleur blanc	Sticker set front-rear wheels white colour	Abziehbild Satz vord.-hinterrad weiss-Farbe	Serie decalcom. ruedas ant-post. color blanco

<b>02</b>	<b>RUOTA POSTERIORE ROUE AR REAR WHEEL HINTERRAD RUEDA POSTERIOR</b>	<b>GILERA</b>
<b>34.00</b>		



Pos. N.	N. Codice Nr. Code Code No. Code Nr. N. Código	Q.tà Q.té Q.ty M.ge Cant.	Denominazione	Désignation	Description	Beschreibung	Descripción
1	319300	6	Vite	Vis	Screw	Schraube	Tornillo
2	324317	6	Rondella elastica color bianco	Rondelle élastique couleur blanc	Spring washer white colour	Federring weiss-Farbe	Arandela elástica color blanco
3	327287	1	Disco freno Ø 240	Disque frein Ø 240	Brake plate Ø 240	Scheibe Ø 240	Disco freno Ø 240
4	319091	6	Dado autoblocc.	Ecrou à autobloc.	Self-locking nut	Selbsich. Mutter	Dado autobl.
5	S.3058	6	Rondella	Rondelle	Washer	U.Scheibe	Arandela
6	S.30079	6	Vite	Vis	Screw	Schraube	Tornillo
7	324324	1	Mozzo parastrappi color grigio	Moyeu couleur gris	Hub grey colour	Nabe grau-Farbe	Cubo color gris
7	327664	1	Mozzo parastrappi color bianco	Moyeu couleur blanc	Hub white colour	Nabe weiss-Farbe	Cubo color blanco
8	310464	1	Parastrappi	Joint en caoutch.	Rubber packing	Gummidichtung	Guarnic. de goma
9	310469	1	Rondella conica	Rondelle	Washer	U.Scheibe	Arandela
10	324326	1	Distanziale lato parastrappi	Entretoise côté joint	Spacer, rubber side	Distanzstück, Dichtungseite	Separador lado guarnición
11	G.24729	1	Cuscinetto lato parastrappi	Roulement côté joint	Bearing, rubber side	Lager, Dichtungseite	Cojinete lado guarnición
12	S.20007	6	Dado autoblocc.	Ecrou à autobloc.	Self-locking nut	Selbsich. Mutter	Dado autobl.
13	323996	1	Distanziale lato corona	Entretoise côté couronne	Spacer, crown side	Distanzstück, Kranzseite	Separador lado corona
14	323995	1	Cuscinetto lato corona	Roulement côté couronne	Bearing, crown side	Lager, Kranzseite	Cojinete lado corona
15	324319	1	Corona Z = 46	Couronne Z = 46	Crown Z = 46	Kettenrad Z = 46	Corona Z = 46
16	310473	3	Piastrina	Plaque	Plate	Plättchen	Plaquita
17	<del>8.904</del> 319052	6	Vite	Vis	Screw	Schraube	Tornillo
18	324328	1	Mozzo parastrappi compl. color grigio	Moyeu compl. couleur gris	Hub, assy. grey colour	Nabe, kpl. grau-Farbe	Cubo, compl. color gris
18	327661	1	Mozzo parastrappi color bianco	Moyeu compl. couleur blanc	Hub, assy. white colour	Nabe, kpl. weiss-Farbe	Cubo, compl. color blanco
19	327313	1	Catena	Chaîne	Chain	Kette	Cadena

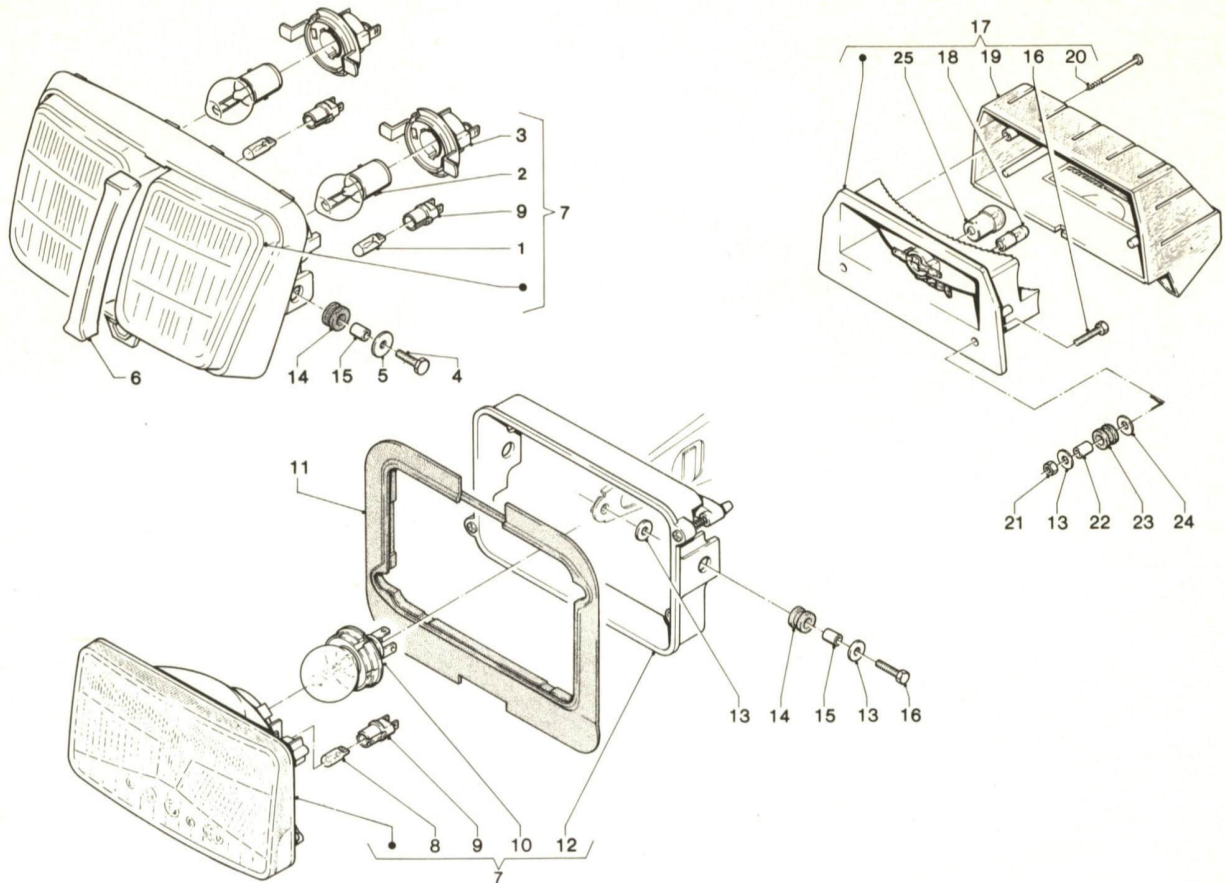
344849 KIT CATENA-CORONA-PIGNONE



**GRUPPO OTTICO - FANALINO POSTERIORE**  
**BLOC OPTIQUE - FEU AR**  
**HEADLAMP, ASSY. - TAIL LIGHT**  
**SCHEINWERFERSATZ - SCHLUSSLEUCHTE**  
**GRUPO OPTICO - FARO POSTERIOR**

**02**

**35.01**

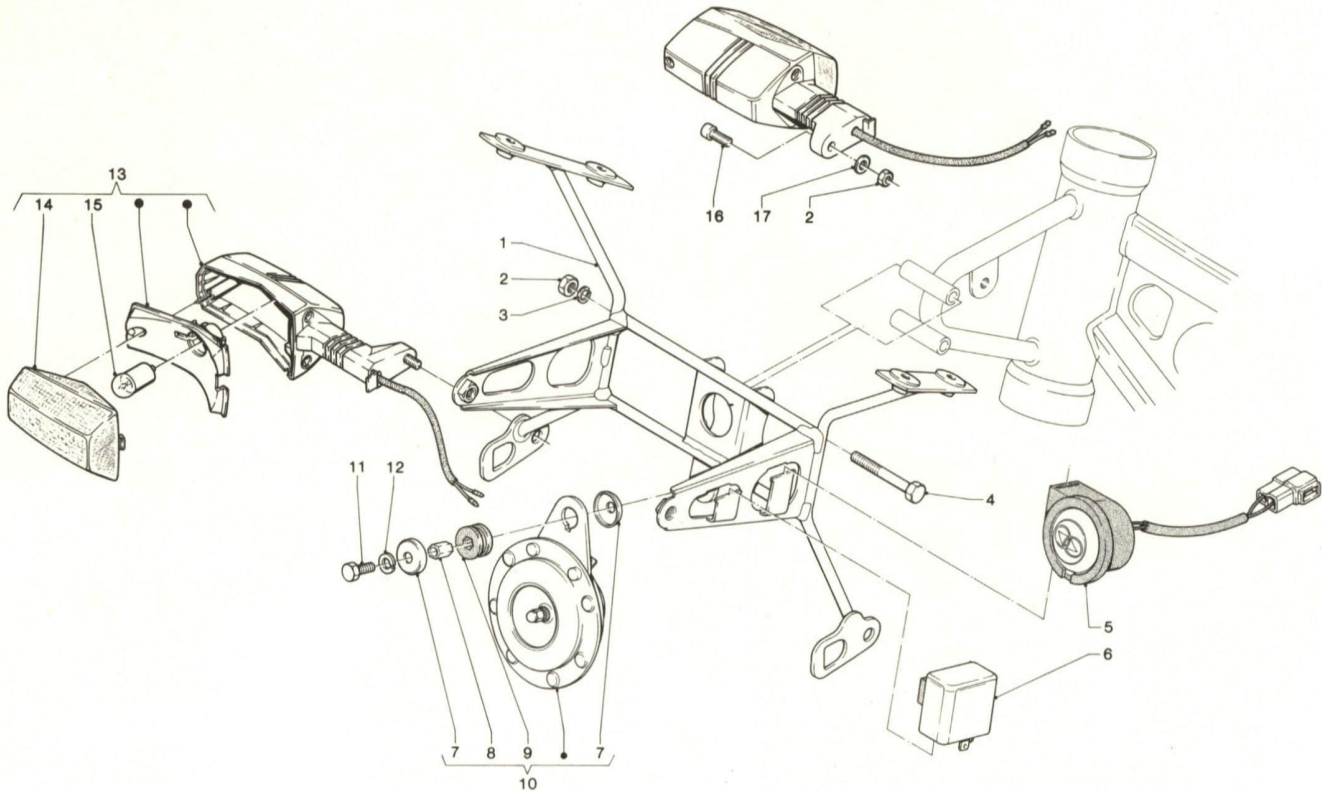


Pos. N.	N. Codice Nr. Code Code No. Code Nr. N. Código	Q.tà Q.ty M.ge Cant.	Denominazione	Désignation	Description	Beschreibung	Descripción
1	155756	2	Lampada	Ampoule	Bulb	Lampe	Bombilla
2	185948	2	Lampada	Ampoule	Bulb	Lampe	Bombilla
3	327745	2	Portalampada	Porte-ampoule	Bulb socket	Lampenfassung	Porta-lámpara
4	S.31088	2	Vite	Vis	Screw	Schraube	Tornillo
5	S.13092	2	Rondella	Rondelle	Washer	U.Scheibe	Arandela
6	327742	1	Setto divisorio	Support de sépar.	Part. support	Trenn. Halter	Soporte div.
7	324237	1	Gruppo ott. KZ	Bloc opt. KZ	Headlamp, KZ	Scheinwerfer, KZ	Grupo opt. KZ
7	324741	1	Gr. ott. KZ END	Bloc opt. KZ END	Headlamp, KZ END	Sch.werfer, KZ END	Grupo opt. KZ END
8	322125	1	Lampada	Ampoule	Bulb	Lampe	Bombilla
9	312724	2	Portalampada	Porte-ampoule	Bulb socket	Lampenfassung	Porta-lámpara
10	129952	1	Lampada	Ampoule	Bulb	Lampe	Bombilla
11	327493	1	Guarnizione	Joint	Packing	Dichtung	Guarnición
12	318683	1	Protezione	Protection	Protection	Schutz	Protección
13	S.13880	2	Rondella	Rondelle	Washer	U.Scheibe	Arandela
14	217163	2	Tampone	Silentbloc	Buffer	Puffer	Tapón
15	316908	2	Boccolino	Bague	Bush	Büchse	Casquillo
16	S.31090	4	Vite	Vis	Screw	Schraube	Tornillo
17	318104	1	Fanalino post. com.	Feu AR compl.	Tail light, assy.	Schl.leuchte, kpl.	Faro post. compl.
18	163015	1	Lampada	Ampoule	Bulb	Lampe	Bombilla
19	318260	1	Coppetta	Cuvette transp.	Glass cup	Glas	Tapa
20	319113	2	Vite	Vis	Screw	Schraube	Tornillo
21	195482	2	Dado	Ecrou	Nut	Mutter	Dado
22	G.401643	2	Distanziale	Entretroise	Spacer	Distanzstück	Separador
23	141590	2	Tampone	Silentbloc	Buffer	Puffer	Tapón
24	S.3056	2	Rondella	Rondelle	Washer	U.Scheibe	Arandela
25	181746	1	Lampada	Ampoule	Bulb	Lampe	Bombilla

02

36.01

TELAIETTO FISS. CAREN. - LAMPEGGIATORI - AVVIS. ACUST.  
 SUPPORT FIXAGE CARENAGE - CLIGNOTANTS - AVERTISSEUR  
 FIRING SECURING SUPPORT - TURN SIGNAL LAMPS - HORN  
 VERKLEIDUNGHALTERUNG - BLINKER - HUPE  
 BASTIDOR SUJEC. CARENADO - INTERMITENTES - AVISADOR AC.



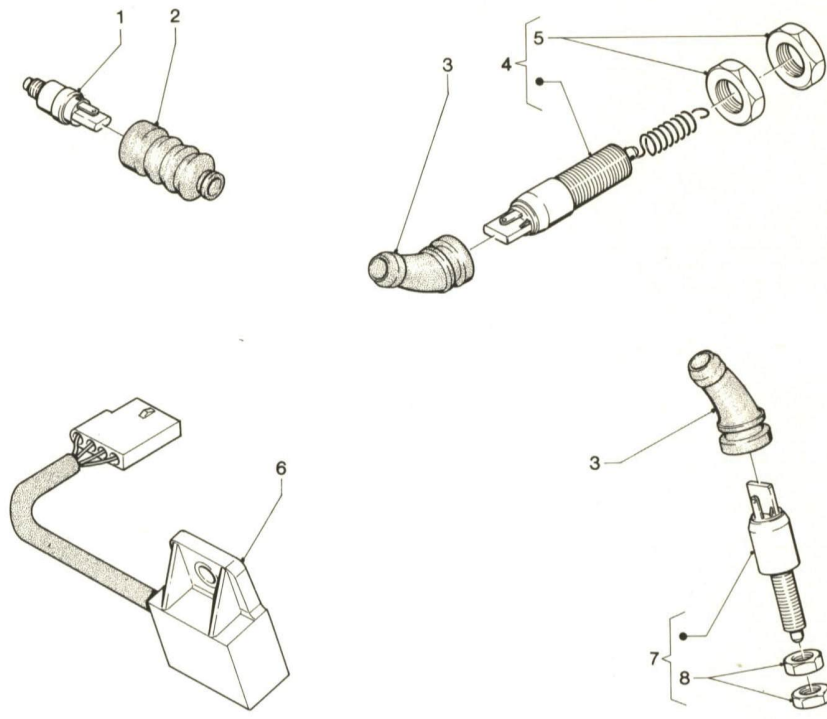
Pos. N.	N. Codice Nr. Code Code No. Code Nr. N. Código	Q.tà Q.té Q.ty M.ge Cant.	Denominazione	Désignation	Description	Beschreibung	Descripción
1	327214	1	Telaietto KZ	Support KZ	Support KZ	Halter KZ	Bastidor KZ
1	343408	1	Telaietto KZ END	Support KZ END	Support KZ END	Halter KZ END	Bastidor KZ END
2	195482	4	Dado	Ecrou	Nut	Mutter	Dado
3	S.16406	2	Rondella elastica	Rondelle élastique	Spring washer	Federring	Arandela elástica
4	S.30058	2	Vite	Vis	Screw	Schraube	Tornillo
5	316755	1	Cicalino	Sonette	Buzzer	Summer	Buzzer
6	322520	1	Disp. lampeggiat.	Centr. clignotante	Thermal cutout	Blinkgeber	Disp. intermitente
7	314240	2	Scodellino	Cuvette	Cup	Kappe	Copita
8	314241	1	Distanziale	Entretoise	Spacer	Distanzstück	Separador
9	314242	1	Gommino	Caoutchouc	Rubber	Gummistück	Goma
10	316743	1	Avvisatore acustico	Avertisseur acoust.	Horn	Hupe	Avisador acústico
11	S.31091	1	Vite	Vis	Screw	Schraube	Tornillo
12	S.16406	1	Rondella elastica	Rondelle élastique	Spring washer	Federring	Arandela elástica
13	324238	2	Lampeggiatore ant./sx - post./dx	Clignotant AV/g. - AR/dr.	Turn signal lamp fr./L.H. - rear/R.H.	Blinker vord./li. - hint./re.	Intermitente ant./izq - post./d.
13	324239	2	Lampeggiatore ant./dx - post./sx	Clignotant AV/dr. - AR/g.	Turn signal lamp fr./R.H. - rear/L.H.	Blinker vord./re. - hint./li.	Intermitente ant./d. - post./izq
14	327616	4	Coppetta	Cuvette transp.	Glass cup	Glas	Tapa
15	181746	1	Lampada	Ampoule	Bulb	Lampe	Bombilla
16	319204	4	Vite	Vis	Screw	Schraube	Tornillo
17	319153	2	Rondella	Rondelle	Washer	U.Scheibe	Arandela



**INTERRUTTORE STOP ANT. E POST. - DISPOSITIVO CAVALLETTO**  
**INTERRUPTEUR STOP AV ET AR - DISPOSITIF BEQUILLE**  
**FRONT AND REAR STOP SWITCH - STAND DEVICE**  
**UNTERBRECHER STOP VOR. U. HIN. - EL. AUSR. FÜR KIPPSTÄNDER**  
**INTERRUPTOR STOP ANT. Y POST. - DISPOSITIVO CABALLETE**

02

37.01

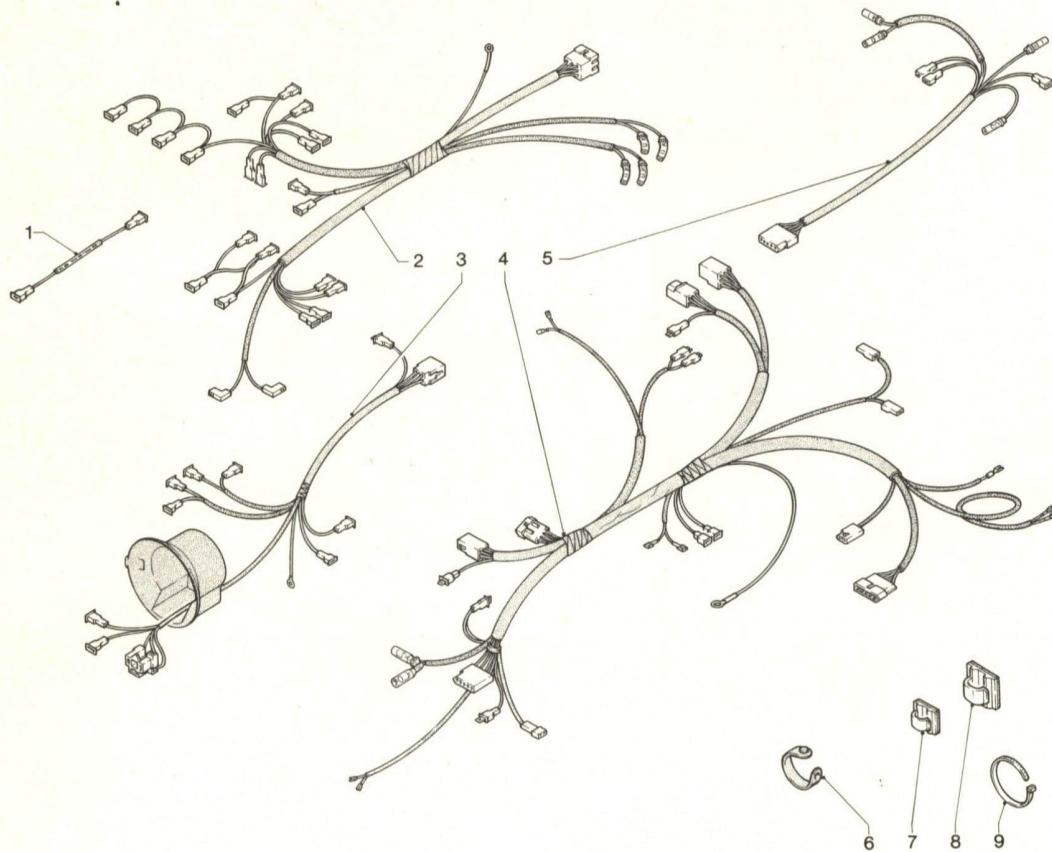


Pos. N.	N. Codice Nr. Code Code No. Code Nr. N. Código	Q.tà Q.té Q.ty M.ge Cant.	Denominazione	Désignation	Description	Beschreibung	Descripción
1	<del>327619</del> 126899	1	Interruttore stop ant.	Interrupteur stop AV	Front stop switch	Unterbrecher Stop, vorne	Interruptor stop ant.
2	327145	1	Cappuccio	Capuchon	Cap	Kappe	Cubreinterr.
3	46766	2	Cappuccio	Capuchon	Cap	Kappe	Cubreinterr.
4	316921	1	Interruttore stop post.	Interrupteur stop AR	Rear stop switch	Unterbrecher Stop, hinten	Interruptor stop post.
5	319206	2	Dado	Ecrou	Nut	Mutter	Dado
6	322719	1	Dispos. cavalletto	Dispos. béquille	Stand device	Aus. f. Kippständer	Dispos. caballete
7	328048	1	Interruttore cavall.	Interrupteur	Switch	Unterbrecher	Interruptor
8	S.20207	2	Dado	Ecrou	Nut	Mutter	Dado

02

38.01

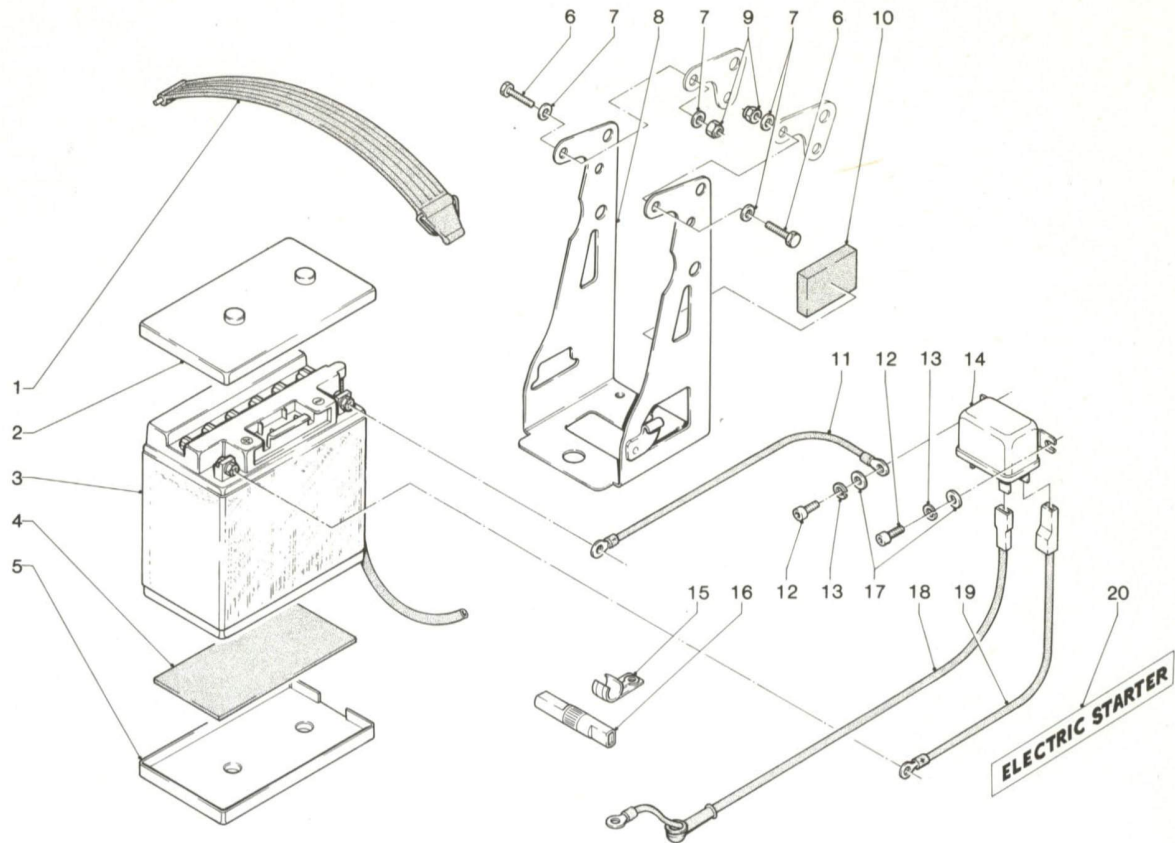
CABLAGGIO  
FAISCEAU DE CABLES  
CABLE HARNESS  
KABELAST  
CABLAJE



Pos. N.	N. Codice Nr. Code Code No. Code Nr. N. Código	Q.tà Q.té Q.ty M.ge Cant.	Denominazione	Désignation	Description	Beschreibung	Descripción
1	323834	1	Cavetto con diodo	Câble avec diode	Cable with diode	Kabel mit Diode	Cable con diodo
2	327227	1	Cablaggio cruscotto	Faisceau de câbles tableau de bord	Cable harness, dashboard	Kabelast, Instrumentenbrett	Cablaje cuadro instrumentos
3	327226	1	Cablaggio gruppo ottico KZ	Faisceau de câbles bloc optique KZ	Cable harness, headlamp, KZ	Kabelast, S.werfer-satz KZ	Cablaje grupo optico KZ
3	327740	1	Cablaggio gruppo ottico KZ END	Faisceau de câbles bloc opt. KZ END	Cable harness, h.lamp, KZ END	Kabelast, S.werfer-satz KZ END	Cablaje grupo optico KZ END
4	327224	1	Cablaggio principale	Faisceau de câbles principal	Main cable harness	Hauptkabelast	Cablaje principal
5	327225	1	Cablaggio fanalino post.	Faisceau de câbles feu AR	Cable harness, tail light	Kabelast, Schlussleuchte	Cablaje faro post.
6	307166	5	Fascetta elastica	Collier élastique	Spring clamp	Federschelle	Brida elástica
7	327241	5	Fermacavo	Fixe-câble	Cable fastener	Kabelbefestigung	Sujetacable
8	327407	2	Fermacavo	Fixe-câble	Cable fastener	Kabelbefestigung	Sujetacable
9	307962	20	Fascetta nylon	Collier	Clamp	Schelle	Brida

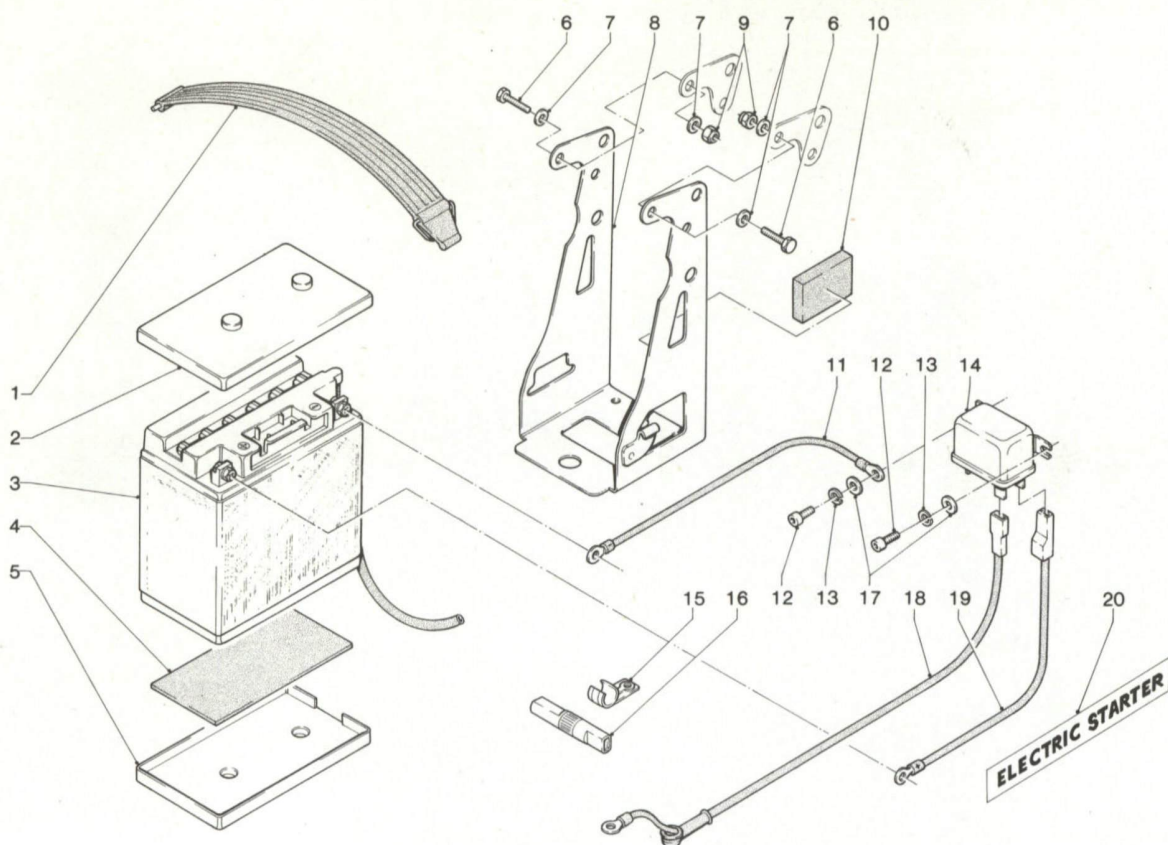
**GILERA**

BATTERIA - TELERUTTORE  
 BATTERIE - TELERUPTEUR  
 BATTERY - REMOTE CONTROL SWITCH  
 BATTERIE - FERNSCHALTER  
 BATTERIE - TELERUPTOR

**02****39.00**

Pos. N.	N. Codice Nr. Code Code No. Code Nr. N. Código	Q.tà Q.té Q.ty M.ge Cant.	Denominazione	Désignation	Description	Beschreibung	Descripción
1	316345	1	Cinghia elastica senza avv. elettr.	Courroie sans dém. électr.	Belt without el. starter	Gürtel ohne Elektrostarter	Correa elástica sin arranque electr.
1	316346	1	Cinghia elastica con avviam. elettr.	Courroie avec dém. électr.	Belt with el. starter	Gürtel mit Elektrostarter	Correa elástica con arranque elect.
2	327650	1	Coperchio batteria	Couvercle batterie	Battery cover	Batteriedeckel	Tapa batería
3	164127	1	Batteria 12V 5,5 Ah senza avv. elettr.	Batterie 12V 5,5 Ah sans dém. électr.	Battery 12V 5.5 Ah without el. starter	Batterie 12V 5,5 Ah ohne Elektrostarter	Batería 12V 5,5 Ah sin arranque electr.
3	316347	1	Batteria 12V 9 Ah con avviam. elettr.	Batterie 12V 9 Ah avec dém. électr.	Battery 12V 9 Ah with el. starter	Batterie 12V 9 Ah mit Elektrostarter	Batería 12V 9 Ah con arranque elect.
4	316352	1	Tappeto batteria	Tapis appui-batt.	Battery rubber mat	Fussmatte	Tapita batería
5	324170	1	Vasca batteria	Cuve pour batterie	Battery holder	Batterie Unterlage	Vaso batería
6	S.31091	4	Vite	Vis	Screw	Schraube	Tornillo
7	319153	8	Rondella	Rondelle	Washer	U.Scheibe	Arandela
8	324169	1	Supporto batteria	Support batterie	Battery holder	Batteriehalter	Soporte batería
9	12138	4	Dado autoblocc.	Ecrou à autobloc.	Self-locking nut	Selbstsic. Mutter	Dado autobl.
10	327259 ANNULLATO 327540	4 #2	Tampone senza avv. elettr.	Silentbloc sans dém. électr.	Buffer without el. starter	Puffer ohne Elektrostarter	Tapón sin arranque electr.
10	327540	1	Tampone con avviam. elettr.	Silentbloc avec dém. électr.	Buffer with el. starter	Puffer mit Elektrostarter	Tapón con arranque elect.
11	322276	1	Cavetto negativo senza avv. elettr.	Câble négat. sans dém. électr.	Neg. cable without el. starter	Neg. Kabel ohne Elektrostarter	Cable negativo sin arranque electr.
11	327230	1	Cavetto negativo con avviam. elettr.	Câble négat. avec dém. électr.	Neg. cable with el. starter	Neg. Kabel mit Elektrostarter	Cable negativo con arranque elect.
12	319273	2	Vite	Vis	Screw	Schraube	Tornillo
13	S.16406	2	Rondella elastica	Rondelle élastique	Spring washer	Federring	Arandela elástica

<b>02</b>	<b>BATTERIA - TELERUTTORE</b> <b>BATTERIE - TELERUPTEUR</b> <b>BATTERY - REMOTE CONTROL SWITCH</b> <b>BATTERIE - FERNSCHALTER</b> <b>BATERIA - TELERUPTOR</b>	<b>GILERA</b>
<b>39.00</b>		



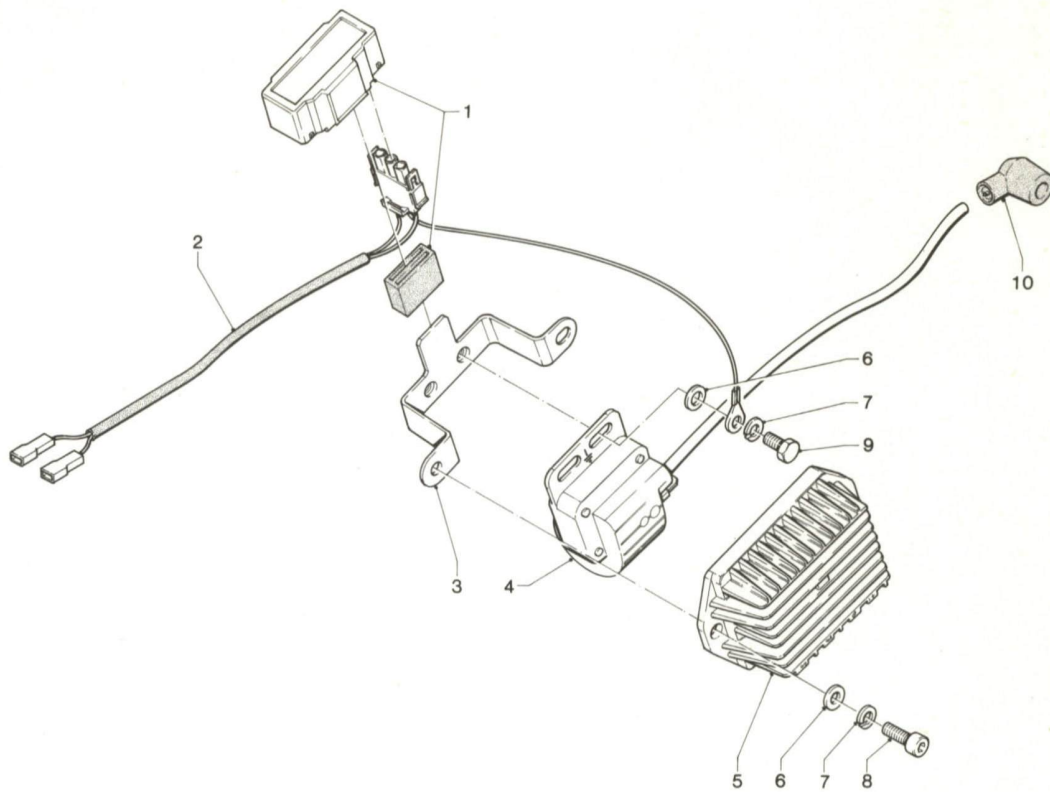
Pos. N.	N. Codice Nr. Code Code No. Code Nr. N. Código	Q.tà Q.té Q.ty M.ge Cant.	Denominazione	Désignation	Description	Beschreibung	Descripción
14	323178	1	Teleruttore con avviam. elettr.	Télérupteur avec dém. électr.	Rem. con. switch with el. starter	Fernschalter mit Elektrostarter	Teleruptor con arranque elect.
15	143253	1	Mancetta	Support	Holder	Halter	Soporte
16	322078 322098	1	Porta fusibile con fusibile	Porte-fusible avec fusible	Fuse holder with fuse	Sicherungbehälter mit Sicherung	Portafusible con fusible
17	S.3056	2	Rondella	Rondelle	Washer	U.Scheibe	Arandela
18	327229	1	Cavetto mot. avv.	Câble démarr.	Starter cable	Starterkabel	Cable motor arr.
19	327228	1	Cavetto positivo con avviam. elettr.	Câble posit. avec dém. électr.	Pos. cable with el. starter	Pos. Kabel mit Elektrostarter	Cable positivo con arranque el.
20	322914	2	Decalco per colore bianco	Décalcomanie pour couleur blanc	Sticker for white colour	Abziehbild für weiss-Farbe	Decalcomania para color blanco
20	322915	2	Decalco per colore blu e nero	Décalcomanie pour couleur bleu et noir	Sticker for blue and black colour	Abziehbild für blau- und schwarz-Farbe	Decalcomania para color azul y blanco

**GILERA**

BOBINA - REGOLATORE DI TENSIONE  
 BOBINE - REGULATEUR DE TENSION  
 COIL - VOLTAGE REGULATOR  
 ZÜNDSPULE - REGLER  
 BOBINA - REGULADOR TENSION

02

40.00



Pos. N.	N. Codice Nr. Code Code No. Code Nr. N. Código	Q.tà Q.té Q.ty M.ge Cant.	Denominazione	Désignation	Description	Beschreibung	Descripción
1	329798	1	Modulo elettronico	Centrale électr.	Ignition module	Elektr. Zentrale	Modulo electrónico
2	323613	1	Cavetto	Câble	Cable	Kabel	Cable
3	327263	1	Staffa	Etrier	Bracket	Stütze	Brida
4	326590	1	Bobina	Bobine	Coil	Zündspule	Bobina
5	326194	1	Regol. di tensione	Régl. de tension	Voltage regulator	Regler	Regulador tensión
6	S.3056	4	Rondella	Rondelle	Washer	U.Scheibe	Arandela
7	S.16406	4	Rondella elastica	Rondelle élastique	Spring washer	Federring	Arandela elástica
8	319204	2	Vite	Vis	Screw	Schraube	Tornillo
9	S.31086	2	Vite	Vis	Screw	Schraube	Tornillo
10	330215	1	Cappuccio candela	Capuchon	Cap	Schutzkappe	Pipeta bujía



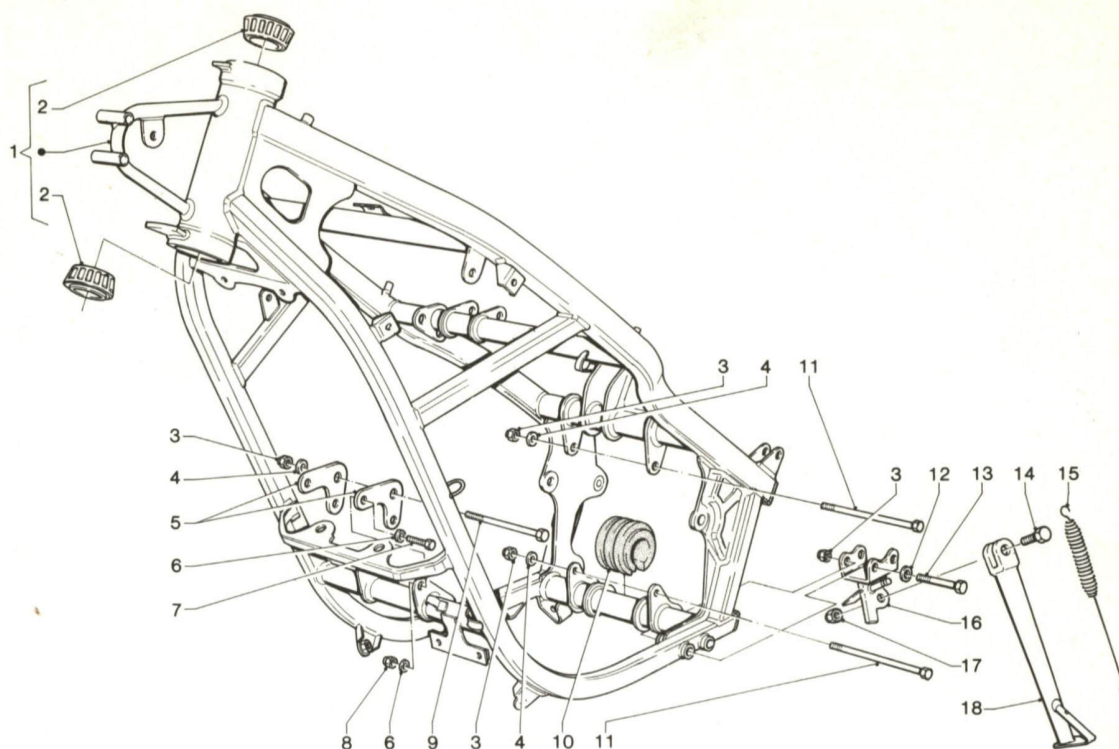
**GILERA**

TELAIO ANTERIORE  
CHASSIS AVANT  
FRONT CHASSIS  
VORDERFAHRGESTELL  
CHASSIS ANTERIOR

KK

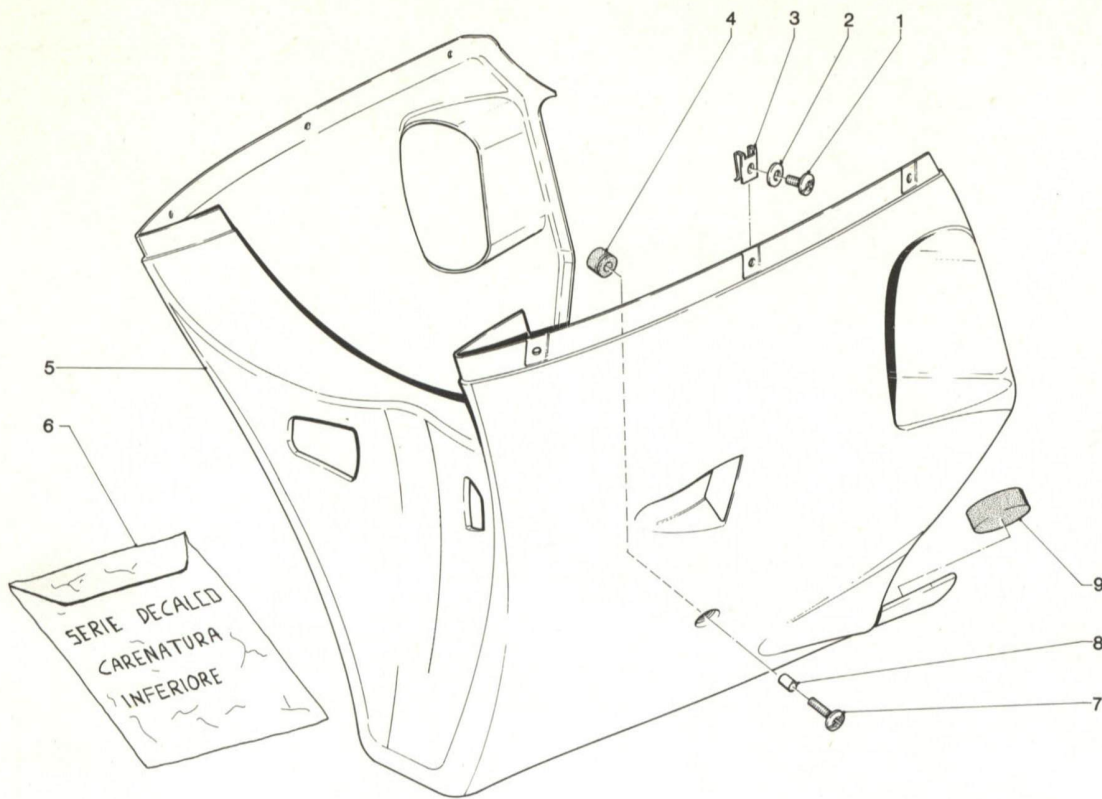
02

41.00



Pos. N.	N. Codice Nr. Code Code No. Code Nr. N. Código	Q.tà Q.té Q.ty M.ge Cant.	Denominazione	Désignation	Description	Beschreibung	Descripción
1	327511	1	Telaio ant. compl.	Châssis AV, compl.	Fr. chassis, assy.	V. Fahrgestell, kpl.	Châssis ant. compl.
2	348744	2	Cuscinetto	Roulement	Bearing	Lager	Cojinete
3	S.20108	5	Dado	Ecrou	Nut	Mutter	Dado
4	G.28723	3	Rondella	Rondelle	Washer	U.Scheibe	Arandela
5	327311	2	Piastrina	Plaque	Plate	Plättchen	Plaquita
6	319153	8	Rondella	Rondelle	Washer	U.Scheibe	Arandela
7	S.31091	4	Vite	Vis	Screw	Schraube	Tornillo
8	S.12138	4	Dado	Ecrou	Nut	Mutter	Dado
9	319291	1	Vite	Vis	Screw	Schraube	Tornillo
10	327450	1	Tampone post.	Silentbloc AR	Rear buffer	Puffer, hint.	Tapón post.
11	319292	2	Vite	Vis	Screw	Schraube	Tornillo
12	S.3058	2	Rondella	Rondelle	Washer	U.Scheibe	Arandela
13	30077	2	Vite	Vis	Screw	Schraube	Tornillo
14	S.31157	1	Vite	Vis	Screw	Schraube	Tornillo
15	327193	1	Molla	Ressort	Spring	Feder	Resorte
16	324021	1	Piastra fissaggio	Plaque fixation	Sec. plate	Platte	Placa sujet.
17	S.15235	1	Dado	Ecrou	Nut	Mutter	Dado
18	324026	1	Cavalletto laterale	Béquille latéral	Side stand	Kippständer	Pata lateral

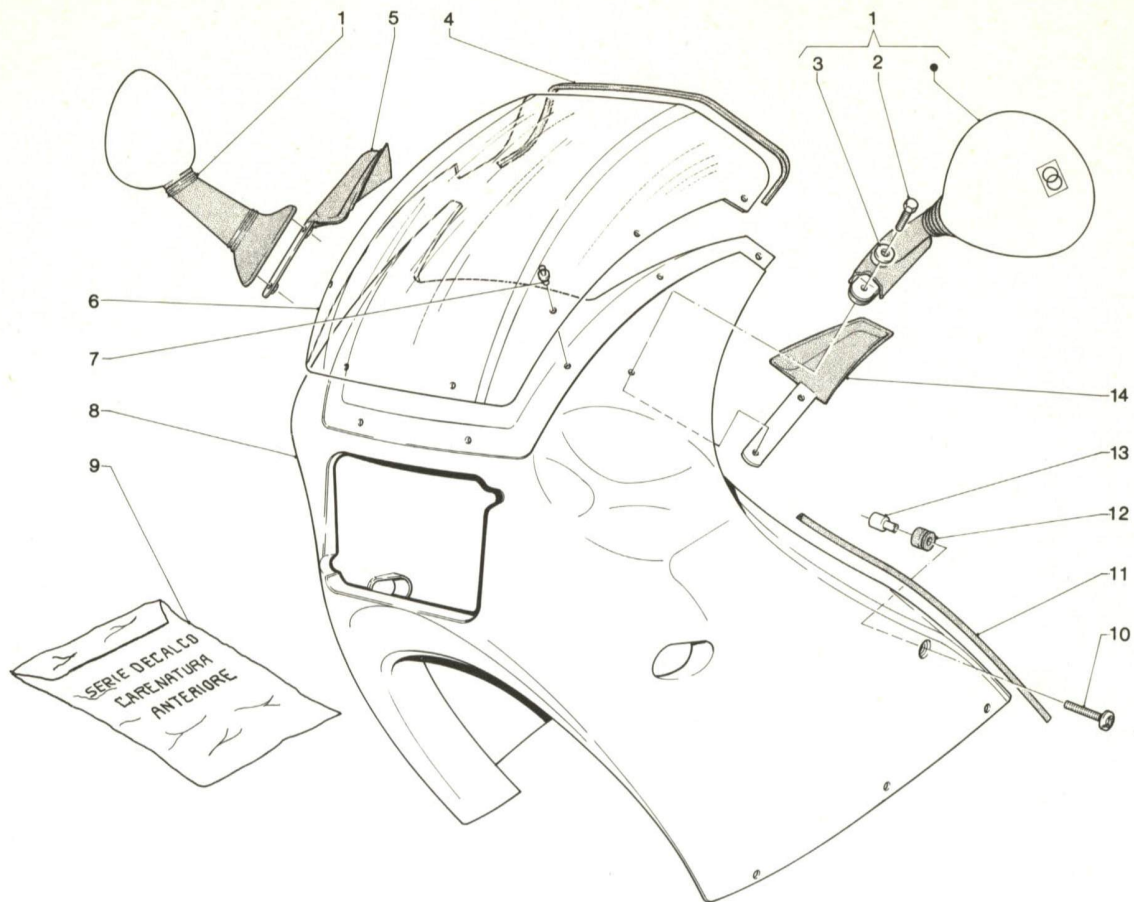
<b>02</b>	<b>CARENATURA INFERIORE</b> <b>CARENAGE INFERIEUR</b> <b>LOWER FAIRING</b> <b>UNT. VERKLEIDUNG</b> <b>CARENADO INFERIOR</b>	<b>GILERA</b>
<b>42.00</b>		



Pos. N.	N. Codice Nr. Code Code No. Code Nr. N. Código	Q.tà Q.té Q.ty M.ge Cant.	Denominazione	Désignation	Description	Beschreibung	Descripción
1	319359	6	Vite speciale	Vis	Screw	Schraube	Tornillo
2	116644	6	Rondella in polietil.	Rondelle	Washer	U.Scheibe	Arandela
3	319202	6	Dado speciale	Ecrou	Nut	Mutter	Dado
4	323114	2	Tampone	Entretoise	Spacer	Distanzstück	Separador
5	327419	1	Carenatura infer.	Carénage infér.	Lower fairing	Unt. Verkleidung	Carenado infer.
6	305724	1	Serie decalco carenatura infer.	Collec. décalcom. carénage infér.	Sticker set lower fairing, red	Abziehbild Satz unt. Verkleidung	Serie decalcom. carenado inf.
7	319364	2	Vite speciale	Vis	Screw	Schraube	Tornillo
8	323704	2	Distanziale	Silentbloc	Buffer	Puffer	Tapón
9	327451	2	Tampone	Silentbloc	Buffer	Puffer	Tapón

**GILERA**

**CARENATURA ANTERIORE**  
**CARENAGE AV**  
**FRONT FAIRING**  
**VORDERE VERKLEIDUNG**  
**CARENADO ANTERIOR**

**02****43.00**

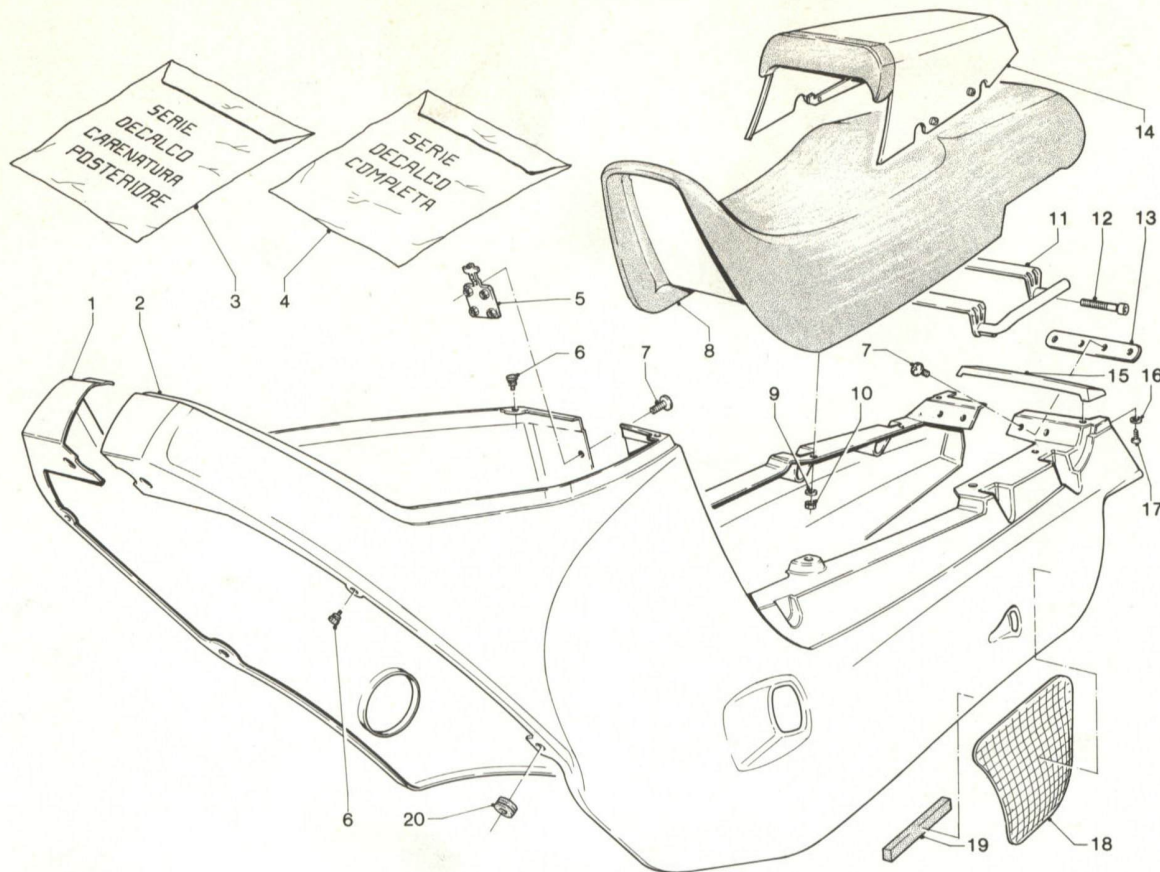
Pos. N.	N. Codice Nr. Code Code No. Code Nr. N. Código	Q.tà Q.té Q.ty M.ge Cant.	Denominazione	Désignation	Description	Beschreibung	Descripción
1	327316	2	Specchio retr. com.	Rétroviseur compl.	Mirror, assy.	Rückspiegel, kpl.	Espejito retr. comp.
2	S.31058	4	Vite	Vis	Screw	Schraube	Tornillo
3	60201	4	Rondella	Rondelle	Washer	U.Scheibe	Arandela
4	328122	1	Profilo in gomma	Profile en caoutch.	Rubber strip	Profilgummi	Perfil de goma
5	327424	1	Protezione dx	Protection droit	R.H. protection	Schutz, rechts	Protección der.
6	327421	1	Trasparente	Transparent	Glass	Glas	Transparente
7	341633	8	Rivetto	Rivet	Rivet	Niet	Ribete
8	327420	1	Carenatura anter.	Carénage AV	Front fairing	Vord. Verkleidung	Carenado anter.
9	305723	1	Serie decalco carenatura ant.	Collec. décalcom. carénage AV	Sticker set front fairing	Abziehbild Satz vord. Verkleidung	Serie decalcom. carenado ant.
10	319365	2	Vite speciale	Vis	Screw	Schraube	Tornillo
11	327549	2	Profilo in gomma	Profile en caoutch.	Rubber strip	Profilgummi	Perfil de goma
12	323114	2	Tampone	Silentbloc	Buffer	Puffer	Tapón
13	327501	2	Distanziale	Entretoise	Spacer	Distanzstück	Separador
14	327442	1	Protezione sx	Protection gauche	L.H. protection	Schutz, links	Protección izq.

02

CARENATURA POSTERIORE  
CARENAGE AR  
REAR FAIRING  
HINTERE VERKLEIDUNG  
CARENADO POSTERIOR

GILERA

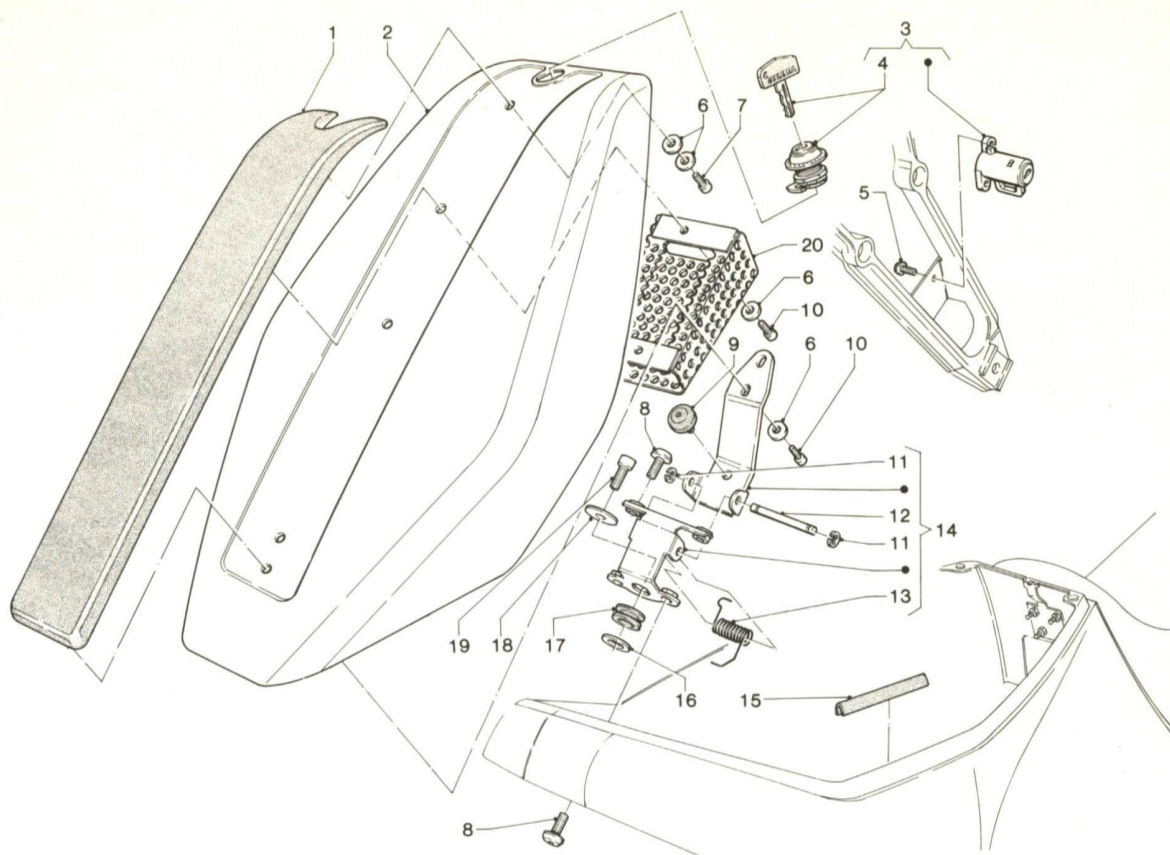
44.00



Pos. N.	N. Codice Nr. Code Code No. Code Nr. N. Código	Q.tà Q.té Q.ty M.ge Cant.	Denominazione	Désignation	Description	Beschreibung	Descripción
1	327467	1	Semicarenatura dx	Demi-carénage dr.	Half-fairing, R.H.	Half-Verkleidung r.	Semicarenado der.
2	327468	1	Semicarenatura sx	Demi-carénage g.	Half-fairing, L.H.	Half-Verkleidung l.	Semicarenado izq.
3	305725	1	Serie decalco carenatura post.	Collec. décalcom. carénage AR	Sticker set rear fairing	Abziebild Satz hint. Verkleidung	Serie decalcom. carenado post.
4	327639	1	Serie decalco com.	Coll. décalc. com.	Sticker set assy.	Abziebild Satz. kpl.	Serie decalc. com.
5	324299	1	Piastra	Plaque	Plate	Plättchen	Placa
6	327412	6	Tampone	Silentbloc	Buffer	Puffer	Tapón
7	319357	8	Vite	Vis	Screw	Schraube	Tornillo
8	324249	1	Sella colore rosso	Selle, rouge	Saddle, red	Sattel, rot	Silla, rojo
8	329435	1	Sella colore nero	Selle, noir	Saddle, black	Sattel, schwarz	Silla, negro
9	319153	6	Rondella	Rondelle	Washer	U.Scheibe	Arandela
10	195482	6	Dado	Ecrou	Nut	Mutter	Dado
11	327498	1	Maniglia	Poignée	Handle	Haltergriff	Manija
12	319342	4	Vite	Vis	Screw	Schraube	Tornillo
13	324300	1	Piastra post.	Plaque AR	Rear plate	Hint. Platte	Placa post.
14	329892	1	Coprisella colore rosso	Couvre-selle, rouge	Saddle cover, red	Sattelschutz, rot	Tapa silla, rojo
14	327817	1	Coprisella colore nero	Couvre-selle, noir	Saddle cover, black	Sattelschutz, schwarz	Tapa silla, negro
15	324284	1	Coperchio post.	Couvercle AR	Rear cover	Hint. Deckel	Tapa post.
16	S.13763	2	Rondella	Rondelle	Washer	U.Scheibe	Arandela
17	S.15727	2	Vite autofilettante	Vis auto-taraud.	Self-thr. screw	Blechschaube	Tornillo autorr.
18	327268	1	Protezione adesiva	Protection	Protection	Schutz	Protección
19	327434	2	Tampone	Silentbloc	Buffer	Puffer	Tapón
20	141590	2	Passacavo	Passe-câble	Grommet	Kabeldurchgang	Pasacable

**GILERA**

**COPERCHIO - CARENATURA POSTERIORE**  
**COUVERCLE - CARENAGE AR**  
**COVER - REAR FAIRING**  
**DECKEL - HINTERE VERKLEIDUNG**  
**TAPA - CARENADO POSTERIOR**

**02****45.00**

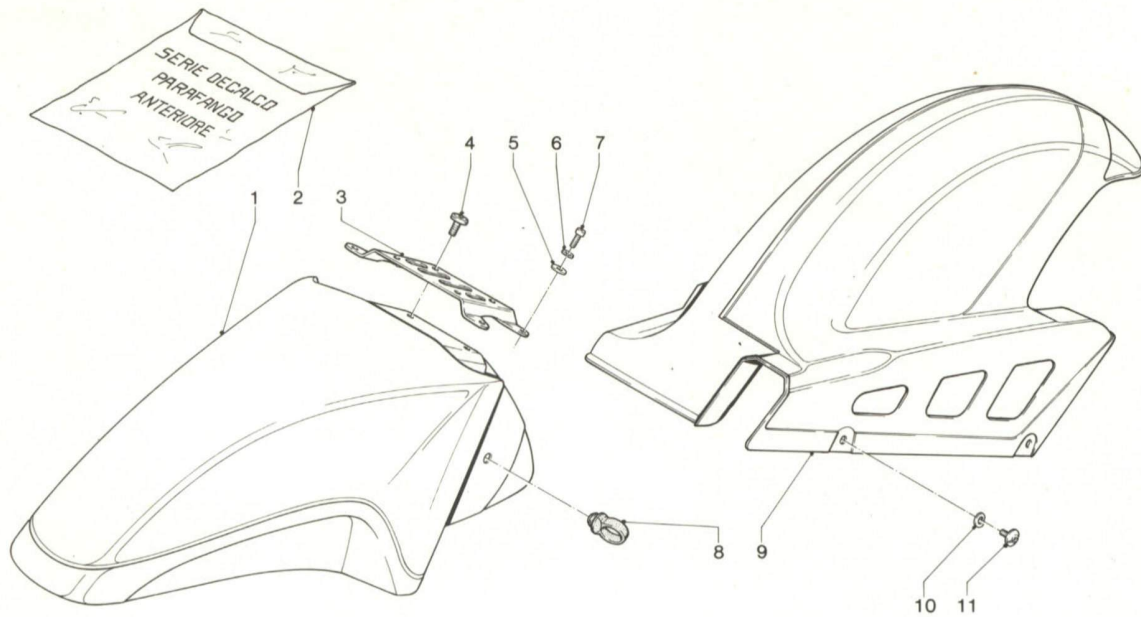
Pos. N.	N. Codice Nr. Code Code No. Code Nr. N. Código	Q.tà Q.té Q.ty M.ge Cant.	Denominazione	Désignation	Description	Beschreibung	Descripción
1	324281	1	Protezione super.	Protection supér.	Upper protection	Ob. Schutz	Protección super.
2	327182	1	Coperchio	Couvercle	Cover	Deckel	Tapa
3	327244	1	Serie serrature	Groupe serrures	Security lock set	Serie Schloss	Serie cerr.
4	324301	1	Serratura cop.	Serrure couvercle	Cover security lock	Deckelschloss	Cerr. tapa
5	319195	2	Vite a strappo	Vis	Screw	Schraube	Tornillo
6	60201	6	Rondella	Rondelle	Washer	U.Scheibe	Arandela
7	319092	1	Vite	Vis	Screw	Schraube	Tornillo
8	324172	4	Vite	Vis	Screw	Schraube	Tornillo
9	214491	1	Tampone	Silentbloc	Buffer	Puffer	Tapón
10	315092	4	Vite	Vis	Screw	Schraube	Tornillo
11	S.5965	2	Anello elastico	Bague élastique	Spring ring	Federring	Anillo elástico
12	324291	1	Perno	Pivot	Pin	Zapfen	Perno
13	324294	1	Molla	Ressort	Spring	Feder	Resorte
14	324311	1	Piastra compl.	Plaque compl.	Plate, assy.	Platte, kpl.	Placa compl.
15	327549	2	Profilo in gomma	Profile en caoutch.	Rubber strip	Profilgummi	Perfil de goma
16	S.16627	1	Rondella	Rondelle	Washer	U.Scheibe	Arandela
17	319320	1	Passacavo ant.	Passe-câble AV	Front grommet	V. Kabeldurchgang	Pasacable ant.
18	S.13889	1	Rondella	Rondelle	Washer	U.Scheibe	Arandela
19	S.15766	1	Vite	Vis	Screw	Schraube	Tornillo
20	327544	1	Mascherina prot.	Protection	Protection	Schutz	Protección

02

PARAFANGO ANTERIORE - COPRIRUOTA POSTERIORE  
 GARDE-BOUE AV - CACHE-ROUE AR  
 FRONT MUDGUARD - REAR WHEEL COVER  
 KOTFLÜGEL, VORN - RADDECKEL, HINT.  
 GUARDABARROS ANTERIOR - CUBRERUEDA POSTERIOR

GILERA

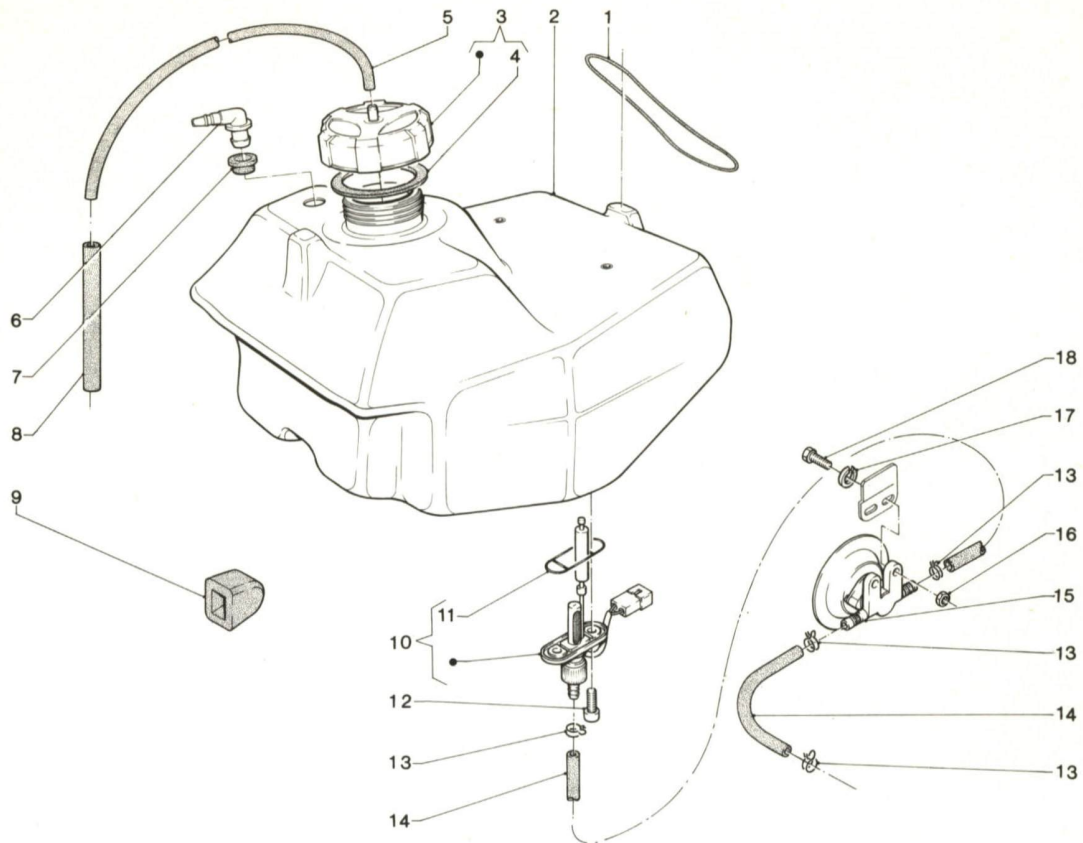
46.00



Pos. N.	N. Codice Nr. Code Code No. Code Nr. N. Código	Q.tà Q.té Q.ty M.ge Cant.	Denominazione	Désignation	Description	Beschreibung	Descripción
1	327220	1	Parafango ant.	Garde-boue AV	Front mudguard	Vor. Kotflügel	Guardabarros ant.
2	305726	1	Serie decalco parafango ant.	Collec. décalcom. garde-boue AV	Sticker set, front mudguard	Abziehbild Satz, vord. Kotflügel	Serie decalcom. guardabarros ant.
3	324282	1	Cavallotto	Pontet	Bracket	Brücke	Caballote
4	319357	4	Vite	Vis	Screw	Schraube	Tornillo
5	S.3056	4	Rondella	Rondelle	Washer	U.Scheibe	Arandela
6	S.16406	4	Rondella elastica	Rondelle élastique	Spring washer	Federring	Arandela elástica
7	319204	4	Vite	Vis	Screw	Schraube	Tornillo
8	327425	1	Ritegno tubo freno	Support tuyau frein	Brake tube holder	Schlauchhalter	Retén tubo freno
9	327169	1	Copri ruota post. colore nero	Cache-roue AR, noir	Rear wheel cover, black	Hint. Raddeckel, schwarz	Cubrerueda post. negro
9	327758	1	Copri ruota post. colore bianco	Cache-roue AR, blanc	Rear wheel cover, white	Hint. Raddeckel, weiss	Cubrerueda post. blanco
10	S.6976	4	Rondella elastica	Rondelle élastique	Spring washer	Federring	Arandela elástica
11	319359	4	Vite	Vis	Screw	Schraube	Tornillo

**GILERA**

**SERBATOIO CARBURANTE**  
**RESERVOIR CARBURANT**  
**FUEL TANK**  
**KRAFTSTOFFBEHÄLTER**  
**TANQUE CARBURANTE**

**02****47.00**

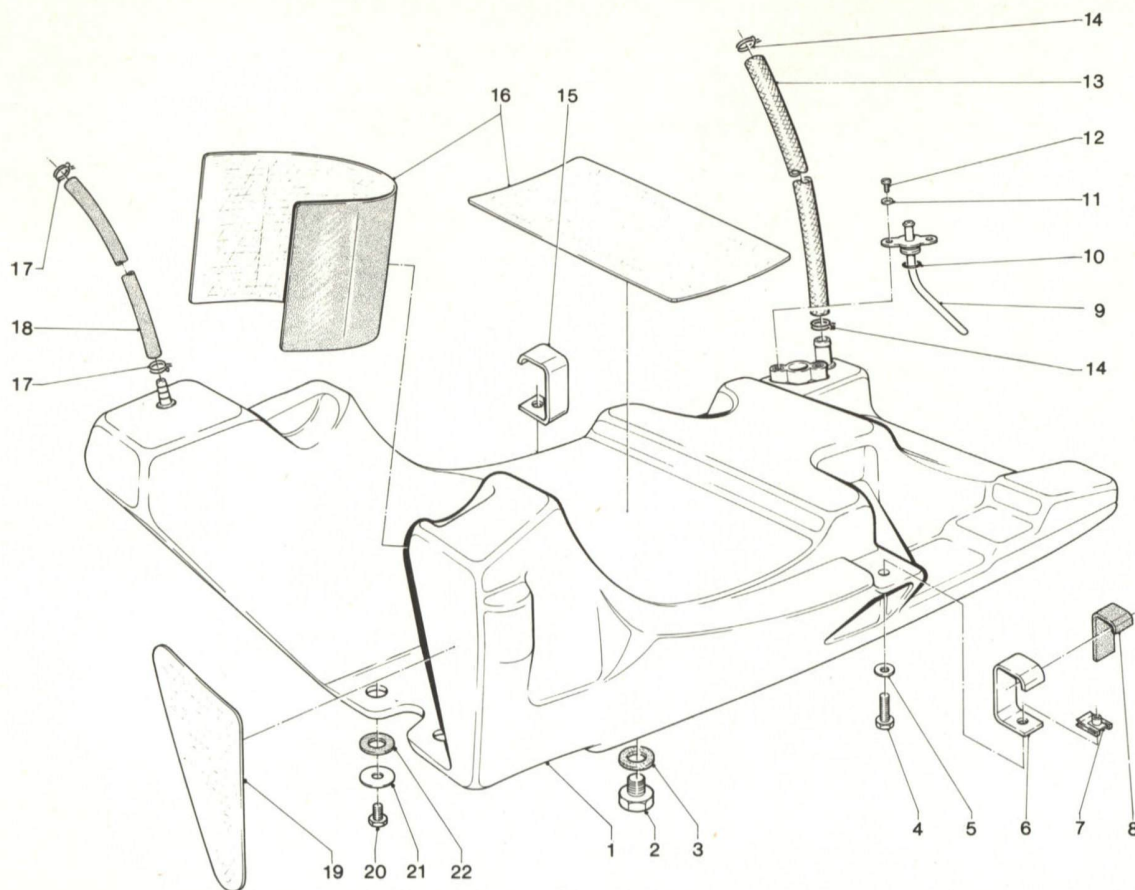
Pos. N.	N. Codice Nr. Code Code No. Code Nr. N. Código	Q.tà Q.té Q.ty M.ge Cant.	Denominazione	Désignation	Description	Beschreibung	Descripción
1	327546	1	Anello elastico	Bague élastique	Spring ring	Federring	Anillo elástico
2	327452	1	Serbatoio	Réservoir	Fuel tank	Kraftstoffbehälter	Tanque
3	327550	1	Tappo completo	Bouchon compl.	Filler cap, assy.	Tankverschluss, k.	Tapón completo
4	330131	1	Guarnizione	Joint	Packing	Dichtung	Guarnición
5	327539	1	Tubetto di sfiato	Tuyau d'évent	Breather pipe	Entlüfterrohr	Tubo de desahogo
6	327502	1	Raccordo	Raccord	Union	Anschluss	Conexión
7	327503	1	Gommino	Caoutchouc	Rubber	Gummistück	Goma
8	327714	1	Tubetto di protez.	Tuyau de prot.	Protection tube	Schutzrohr	Tubo de prot.
9	327181	2	Tampone	Silentbloc	Buffer	Puffer	Tapón
10	327566	1	Indicatore riserva	Jauge rés. d'ess.	Fuel reserve gauge	Anzeige für Res.	Indicador reserva
11	327353	1	Guarnizione	Joint	Packing	Dichtung	Guarnición
12	319204	2	Vite	Vis	Screw	Schraube	Tornillo
13	327483	4	Fascetta	Collier	Clamp	Schelle	Ribete
14	125877	2	Tubo carburante	Tuyau d'essence	Fuel line	Schlauch	Tubo carburante
15	327178	1	Rubinetto carb.	Robinet d'ess.	Fuel cock	Kraftstoffhahn	Surtidor carbur.
16	195482	2	Dado autoblocc.	Ecrou à autobloc.	Self-locking nut	Selbstsich. Mutter	Dado autobl.
17	S.13880	2	Rondella elastica	Rondelle élastique	Spring washer	Federring	Arandela elástica
18	S.31088	2	Vite	Vis	Screw	Schraube	Tornillo

02

SERBATOIO INFERIORE  
RESERVOIR INFERIEUR  
LOWER FUEL TANK  
UNT. KRAFTSTOFFBEHÄLTER  
TANQUE CARBURANTE INFERIOR

GILERA

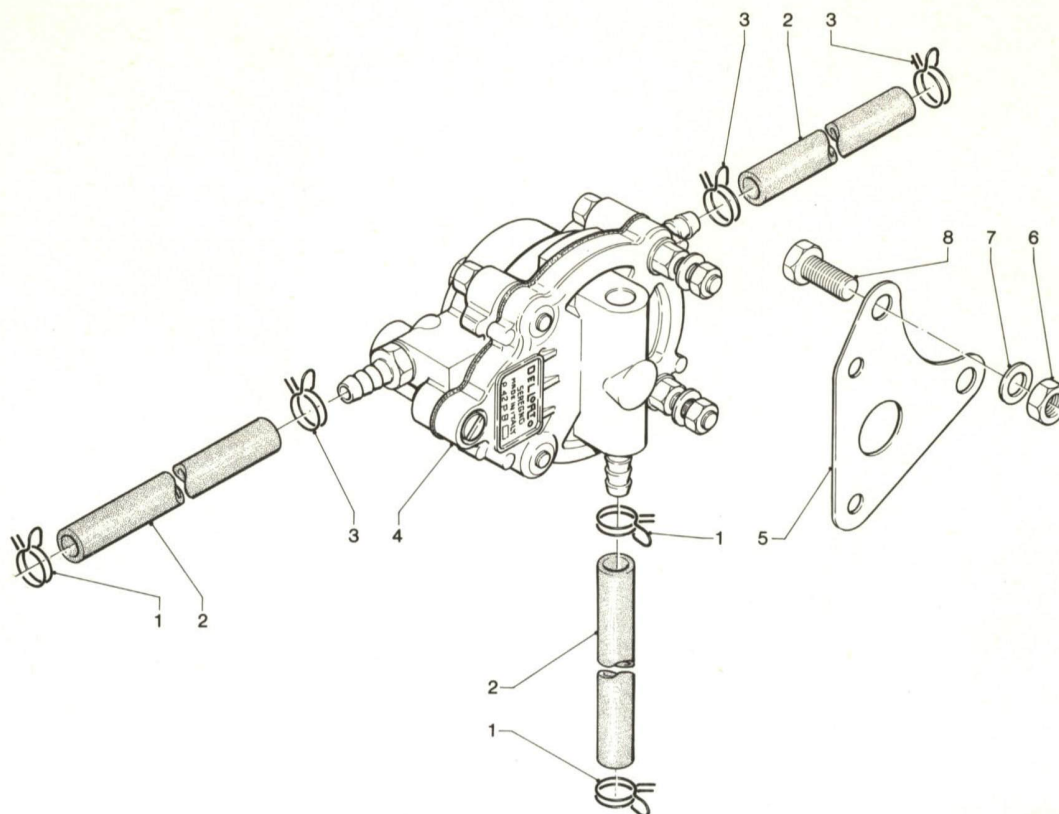
48.00



Pos. N.	N. Codice Nr. Code Code No. Code Nr. N. Código	Q.tà Q.té Q.ty M.ge Cant.	Denominazione	Désignation	Description	Beschreibung	Descripción
1	327429	1	Serbatoio inferiore	Réservoir infér.	Lower fuel tank	Unt. Behälter	Tanque inferior
2	327457	1	Tappo di scarico	Bouchon de déch.	Exhaust plug	Auspuffverschluss	Tapón de des.
3	323886	1	Guarnizione	Joint	Packing	Dichtung	Guarnición
4	S.31089	2	Vite	Vis	Screw	Schraube	Tornillo
5	S.13880	2	Rondella	Rondelle	Washer	U.Scheibe	Arandela
6	327453	1	Piastrina	Plaquette	Plate	Plättchen	Plaquita
7	319202	2	Dado speciale	Ecrou	Nut	Mutter	Dado
8	327455	1	Tampone autoad.	Silentbloc	Buffer	Puffer	Tapón
9	327537	1	Raccordo aspir.	Raccord	Union	Anschluss	Conexión
10	327538	1	Guarnizione	Joint	Packing	Dichtung	Guarnición
11	S.6974	2	Rondella	Rondelle	Washer	U.Scheibe	Arandela
12	S.10028	2	Vite	Vis	Screw	Schraube	Tornillo
13	327415	1	Tubo telato	Tube	Tube	Rohr	Tubo
14	327553	2	Fascetta	Collier	Clamp	Schelle	Fajita
15	327454	1	Piastrina	Plaquette	Plate	Plättchen	Plaquita
16	327555	2	Protezione antical.	Protection	Protection	Schutz	Protección
17	G.45637	2	Fascetta	Collier	Clamp	Schelle	Fajita
18	125877	1	Tubo sfiato	Tuyau d'évent	Breather pipe	Entlüfterrohr	Tubo de desahogo
19	327556	1	Protezione antical.	Protection	Protection	Schutz	Protección
20	S.31084	2	Vite	Vis	Screw	Schraube	Tornillo
21	S.13889	2	Rondella	Rondelle	Washer	U.Scheibe	Arandela
22	327433	2	Rondella in gomma	Rondelle en caout.	Rubber washer	Gummischeibe	Arandela en goma

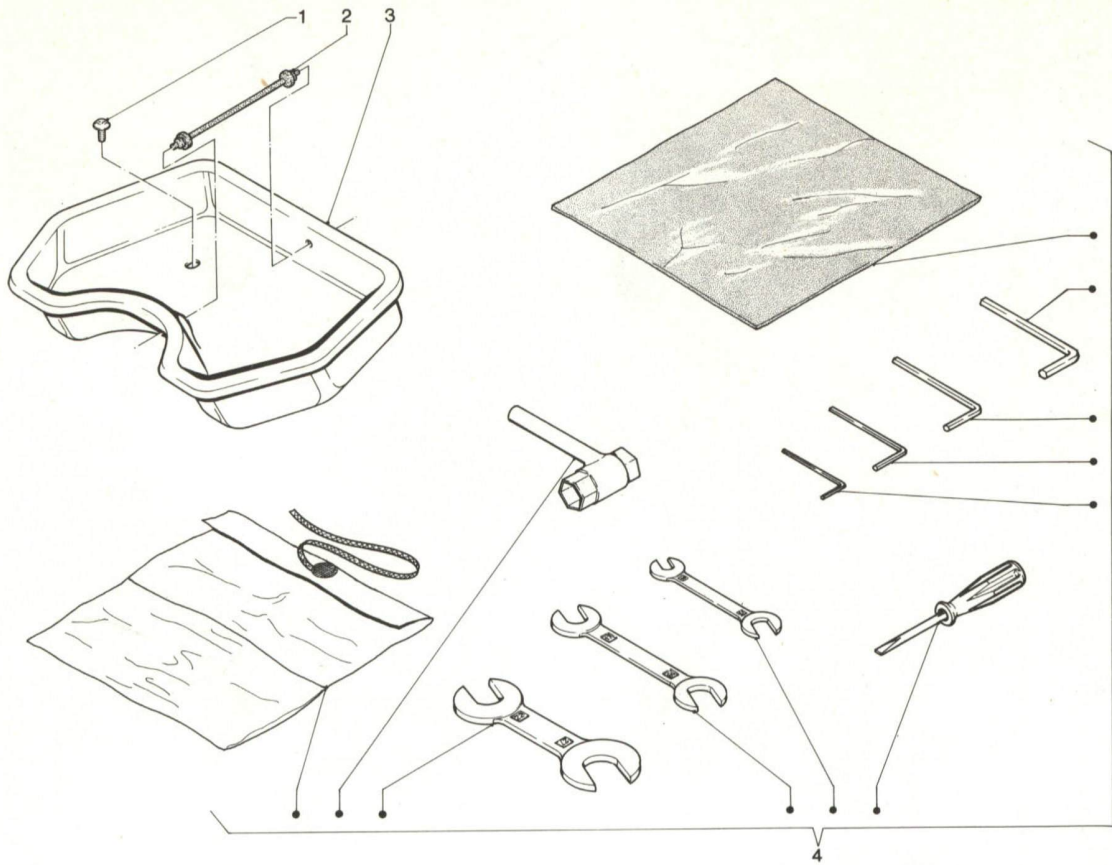
**GILERA**

POMPA BENZINA  
 POMPE A ESSENCE  
 FUEL PUMP  
 KRAFTSTOFFPUMPE  
 BOMBA CARBURANTE

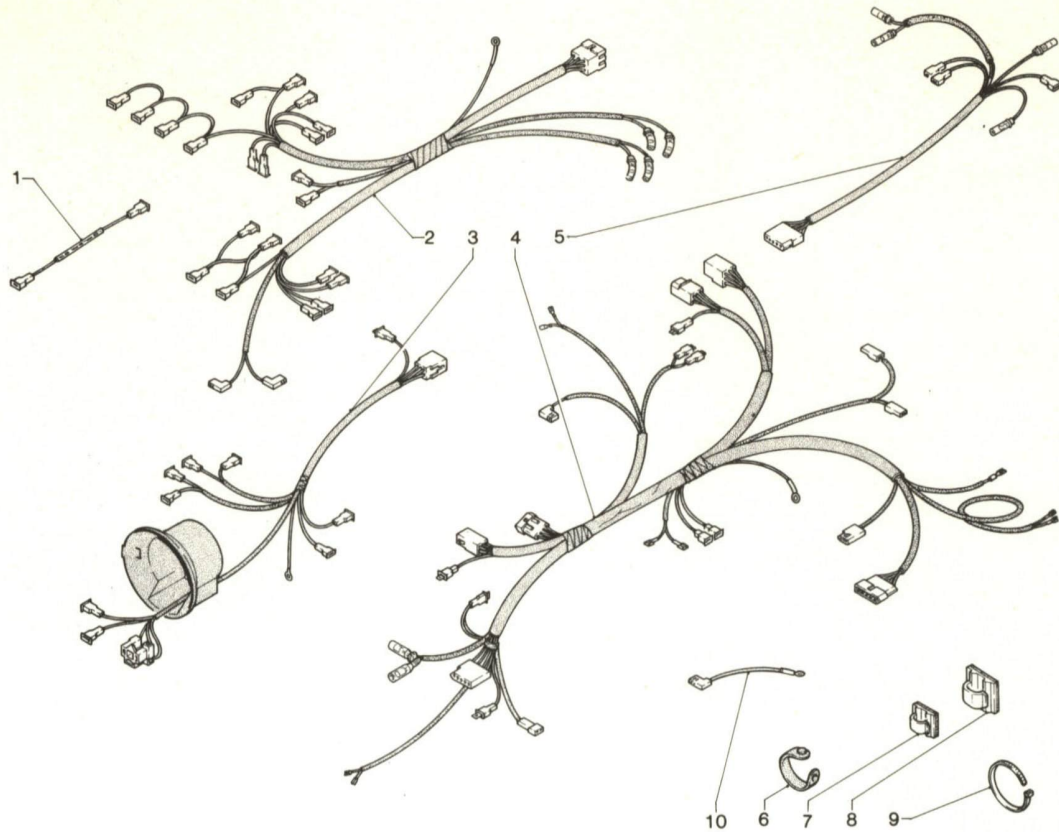
**02****49.00**

Pos. N.	N. Codice Nr. Code Code No. Code Nr. N. Código	Q.tà Q.té Q.ty M.ge Cant.	Denominazione	Désignation	Description	Beschreibung	Descripción
1	G.45637	3	Fascetta	Collier	Clamp	Schelle	Brida
2	125877	3	Tubo	Tuyau	Tube	Rohr	Tubo
3	327482	3	Fascetta	Collier	Clamp	Schelle	Brida
4	327411	1	Pompa benzina	Pompe à essence	Fuel pump	Kraftstoffpumpe	Bomba carburante
5	327441	1	Piastrina	Plaquette	Plate	Plättchen	Plaquita
6	S.2436	2	Dado	Ecrou	Nut	Mutter	Dado
7	319153	2	Rondella	Rondelle	Washer	U.Scheibe	Arandela
8	S.31086	2	Vite	Vis	Screw	Schraube	Tornillo

<b>02</b>	<b>CORREDO ATTREZZI</b> <b>OUTILLAGE</b> <b>TOOL KIT</b> <b>VERKZEUGSATZ</b> <b>JUEGO HERRAMIENTAS</b>	<b>GILERA</b>
<b>50.00</b>		

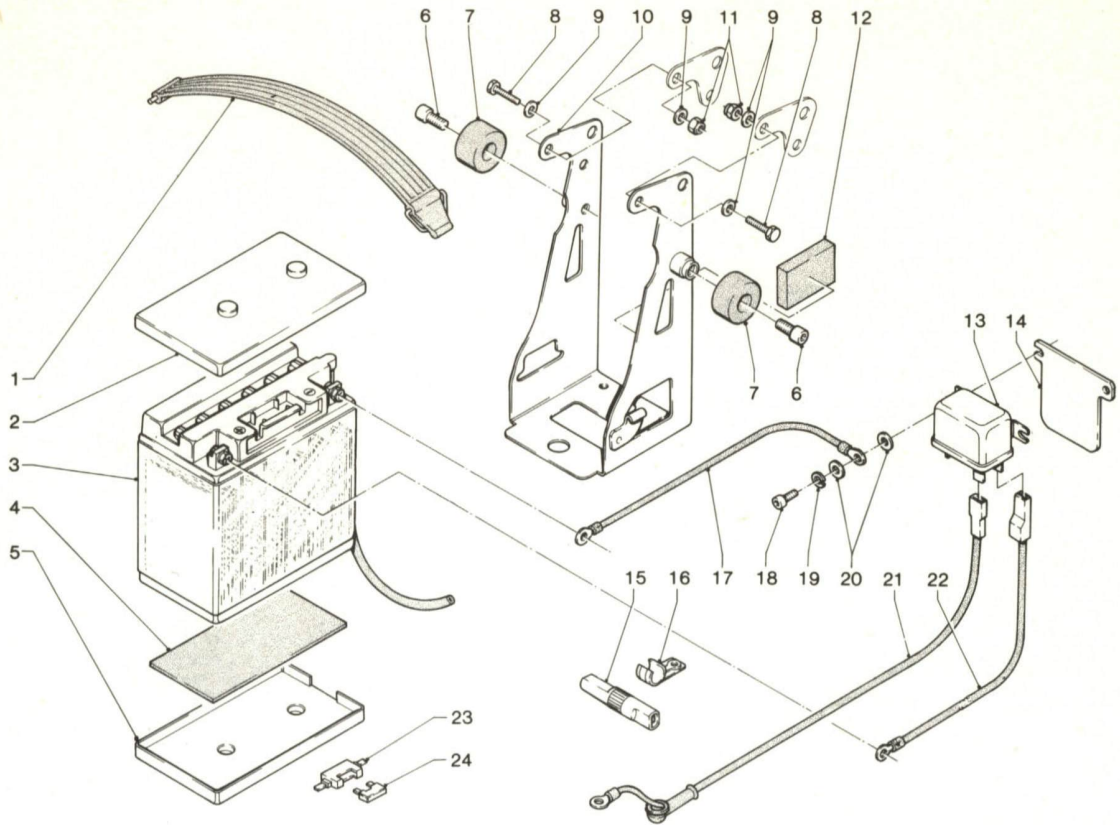


Pos. N.	N. Codice Nr. Code Code No. N. Código	Q.tà Q.té Q.ty M.ge Cant.	Denominazione	Désignation	Description	Beschreibung	Descripción
1	319359	2	Vite	Vis	Screw	Schraube	Tornillo
2	308184	1	Elastico	Elastique	Flexible	Schnur	Elastico
3	327541	1	Vaschetta portaogg.	Cuvette	Cup	Gehäuse	Alojamiento herr.
4	327360	1	Corredo compl.	Outillage, compl.	Tool kit, assy.	Verzeugsatz, kpl.	Juego herr. compl.



Pos. N.	N. Codice Nr. Code Code No. Code Nr. N. Código	Q.tà Q.té Q.ty M.ge Cant.	Denominazione	Désignation	Description	Beschreibung	Descripción
1	323834	1	Cavetto con diodo	Câble avec diode	Cable with diode	Kabel mit Diode	Cable con diodo
2	327227	1	Cablaggio cruscotto	Faisceau de câbles tableau de bord	Cable harness, dashboard	Kabelast, Instrumentenbrett	Cablaje cuadro instrumentos
3	327226	1	Cablaggio gruppo ottico	Faisceau de câbles bloc optique	Cable harness, headlamp, assy.	Kabelast, Sch.werfereinsatz	Cablaje grupo optico
4	327620	1	Cablaggio principale	Faisceau de câbles principal	Main cable harness	Hauptkabelast	Cablaje principal
5	327225	1	Cablaggio fanalino post.	Faisceau de câbles feu AR	Cable harness, tail light	Kabelast, Schlussleuchte	Cablaje faro post.
6	307166	5	Fascetta elastica	Collier élastique	Spring clamp	Federschelle	Brida elástica
7	327241	5	Fermacavo ades.	Fixe-câble	Cable fastener	Kabelbefestigung	Sujetacable
8	327407	2	Fermacavo ades.	Fixe-câble	Cable fastener	Kabelbefestigung	Sujetacable
9	307962	20	Fascetta nylon	Collier	Clamp	Schelle	Brida
10	327685	1	Cavetto positivo batteria-fusibile	Câble posit. batterie-fusible	Posit. cable battery-fuse	Posit. Kabel Batt.-Schmierung	Cavo posit. batería-fusible





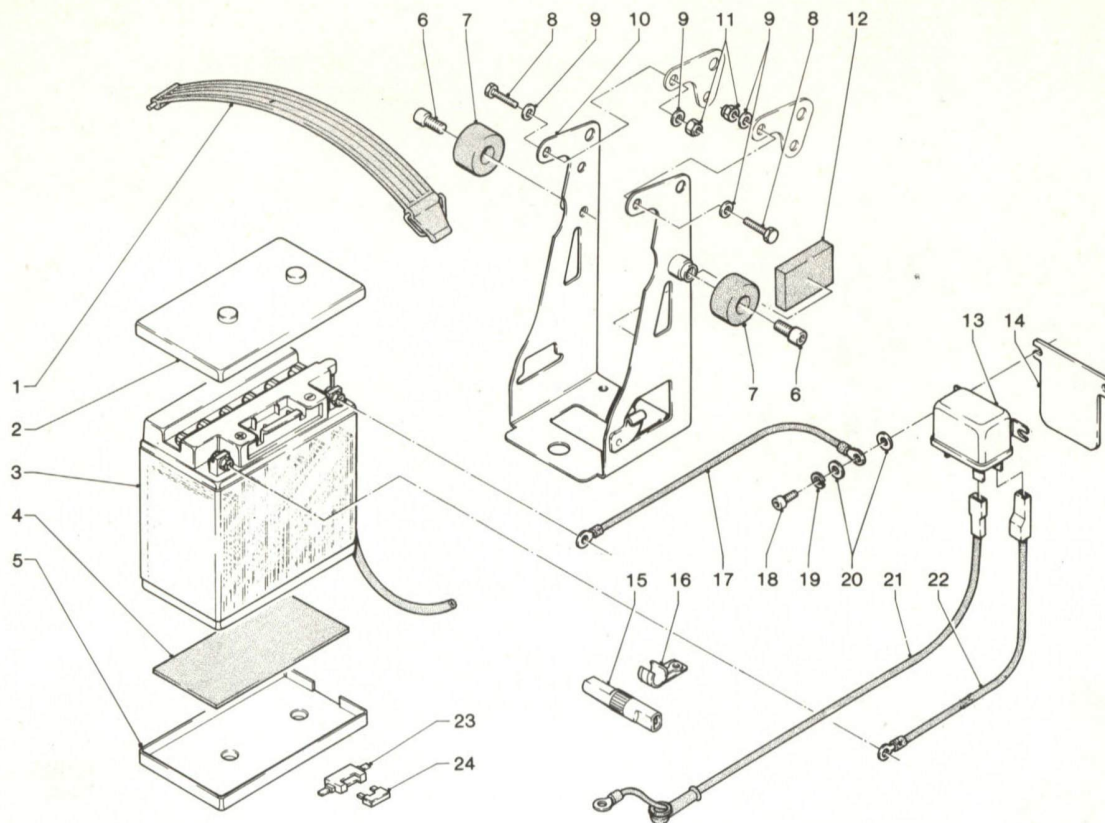
Pos. N.	N. Codice Nr. Code Code No. Code Nr. N. Código	Q.tà Q.té Q.ty M.ge Cant.	Denominazione	Désignation	Description	Beschreibung	Descripción
1	316345	1	Cinghia elastica senza avv. elettr.	Courroie sans dém. électr.	Belt without el. starter	Gürtel ohne Elektrostarter	Correa elástica sin arranque electr.
1	316346	1	Cinghia elastica con avviam. elettr.	Courroie avec dém. électr.	Belt with el. starter	Gürtel mit Elektrostarter	Correa elástica con arranque elect.
2	327650	1	Coperchio batteria	Couvercle batterie	Battery cover	Batteriedeckel	Tapa batería
3	164127	1	Batteria 12V 5,5 Ah senza avv. elettr.	Batterie 12V 5,5 Ah sans dém. électr.	Battery 12V 5.5 Ah without el. starter	Batterie 12V 5,5 Ah ohne Elektrostarter	Batería 12V 5,5 Ah sin arranque electr.
3	316347	1	Batteria 12V 9 Ah con avviam. elettr.	Batterie 12V 9 Ah avec dém. électr.	Battery 12V 9 Ah with el. starter	Batterie 12V 9 Ah mit Elektrostarter	Batería 12V 9 Ah con arranque elect.
4	316352	1	Tappeto batteria	Tapis appui-batt.	Battery rubber mat	Fussmatte	Tapita batería
5	324170	1	Vasca batteria	Cuve pour batterie	Battery holder	Batterie Unterlage	Vaso batería
6	319165	2	Vite	Vis	Screw	Schraube	Tornillo
7	326306	2	Tampone	Silentbloc	Buffer	Puffer	Tapón
8	S.31091	4	Vite	Vis	Screw	Schraube	Tornillo
9	319153	8	Rondella	Rondelle	Washer	U.Scheibe	Arandela
10	327448	1	Supporto batteria	Support batterie	Battery holder	Batteriehalter	Soporte batería
11	S.12138	4	Dado autoblocc.	Ecrou à autobloc.	Self-locking nut	Selbstsic. Mutter	Dado autobl.
12	327259	4	Tampone senza avv. elettr.	Silentbloc sans dém. électr.	Buffer without el. starter	Puffer ohne Elektrostarter	Tapón sin arranque electr.
12	327540	1	Tampone con avviam. elettr.	Silentbloc avec dém. électr.	Buffer with el. starter	Puffer mit Elektrostarter	Tapón con arranque elect.
13	323178	1	Teleruttore con avviam. elettr.	Télerupteur avec dém. électr.	Rem. con. switch with el. starter	Fernschalter mit Elektrostarter	Teleruptor con arranque elect.
14	327618	1	Piastrina prot. tel.	Plaquette	Plate	Plättchen	Plaquita
15	<del>322029</del> 322098	1	Porta fusibile con fusibile	Porte-fusible avec fusible	Fuse holder with fuse	Sicherungsbehälter mit Sicherung	Portafusible con fusible

02

52.00

BATTERIA - TELERUTTORE  
 BATTERIE - TELERUPTEUR  
 BATTERY - REMOTE CONTROL SWITCH  
 BATTERIE - FERNSCHALTER  
 BATERIA - TELERUPTOR

GILERA



Pos. N.	N. Codice Nr. Code Code Nr. N. Código	Q.tà Q.té Q.ty M.ge Cant.	Denominazione	Désignation	Description	Beschreibung	Descripción
16	143253	1	Supporto portafus.	Support	Holder	Halter	Soporte
17	322276	1	Cavetto negativo senza avv. elettr.	Câble négat. sans dém. élect.	Neg. cable without el. starter	Neg. Kabel ohne Elektrostarter	Cable negativo sin arranque electr.
17	327563	1	Cavetto negativo con avviam. elettr.	Câble négat. avec dém. élect.	Neg. cable with el. starter	Neg. Kabel mit Elektrostarter	Cable negativo con arranque elect.
18	319273	2	Vite	Vis	Screw	Schraube	Tornillo
19	S.16406	2	Rondella elastica	Rondelle élastique	Spring washer	Federring	Arandela elástica
20	S.3056	3	Rondella	Rondelle	Washer	U.Scheibe	Arandela
21	327562	1	Cavetto mot. avv.	Câble démarr.	Starter cable	Starterkabel	Cable motor arr.
22	327228	1	Cavetto positivo con avviam. elettr.	Câble posit. avec dém. élect.	Pos. cable with el. starter	Pos. Kabel mit Elektrostarter	Cable positivo con arranque el.
23	<del>32690</del> 327690	1	Porta fusibile	Porte-fusible	Fuse holder	Sicherungsbehälter	Portafusibile
24	<del>32692</del> 327692	1	Valvola fusibile 25A	Soupape fusible 25A	Fuse valve 25A	Sicherungsventil 25A	Válvula fusible 25A